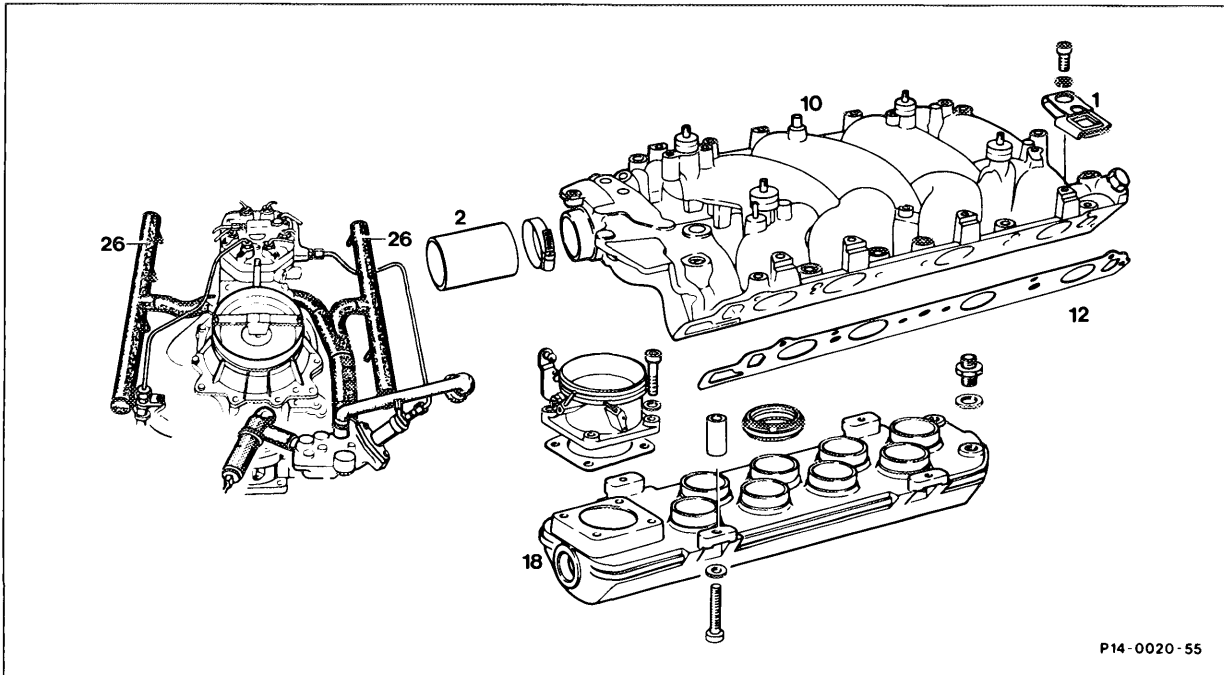



14-450 Removal, reinstallation of intake manifold, renewing gaskets



P14-0020-55

Battery	disconnect, reconnect.
Mixture control unit with air guide housing	remove, reinstall (07.3-225).
Coolant	partly drain, refill (20-010).
Shaped hoses (26) for auxiliary air	remove, reinstall.
Electrical engine cable harness	lace out, lace in.
Longitudinal control shaft	remove, reinstall (30-310).
Bracket (1) for injection valves	remove, reinstall.
Bowden cable for automatic transmission	disconnect, reconnect.
Bearing bracket for control	remove, reinstall.
All vacuum connections	remove, reinstall. Connect vacuum lines according to function diagram (14-050).
Exhaust gas recirculation line on exhaust gas recirculation valve	disconnect, reconnect.
Mounting screws	remove, refit. Tighten screws from inside to the outside.

Coolant hose (2)	loosen.
Intake manifold upper and lower parts (10 and 18)	remove, reinstall. Clean, check flange surfaces with straightedge, machine on straightening plate if required.  Upon assembly ensure that no vacuum lines and electrical wires are jammed in.
Intake manifold gaskets (12)	renew.
Engine control	adjust (30-300, and 30-305).
Leaks	check by running engine, check fuel lines for leaks. Check intake system, fuel distributor and injection valves for leaks by spraying with Iso-Octane.
Idle speed	check, adjust.

A hose fitting with bead is installed to prevent slipping of the vacuum line on the intake manifold.

Production breakpoint: November 1986

Model	Engine	Engine end No.
107.048	117.967	016953
126.035	116.065	031464
126.039/045	117.968	023518

Improved sealing by means of gaskets made of different material.

Production breakpoint: July 1987

Model	Engine	Engine end No.
107.048	117.967	025498
126.035	116.965	045268
126.039/045	117.968	035244