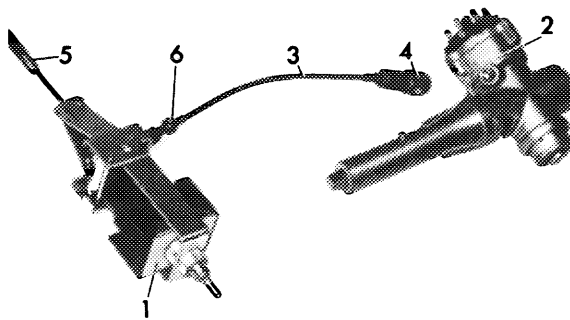


Adjustment

- 1 Push start and stop control into stop position.
- 2 Unscrew adjusting screw (6) until steering lock switch is released. Then unscrew by an additional 1 to 1 1/2 turns and counterlock adjusting screw.

- | | |
|--------------------------|---------------------------|
| 1 Preglow starter switch | 4 Cap nut M 10 |
| 2 Steering lock switch | Part no. 001 587 01 00 01 |
| 3 Cable control | 5 Start and stop control |
| | 6 Adjusting screw |



154-9749

- 3 Check adjustment.

Attention!

If the preglow starter switch is in driving position, actuation of key in steering lock switch should not be possible.