

Revision: Revised, additional screw versions added.

Model 200 D/8 and 220 D/8

Cylinder walls of cylinder crankcases were reinforced and tapped holes for cylinder head bolts in cylinder crankcase were set lower (arrow in Fig. 01-6/2 and 3).

In addition, camshaft bearings were reinforced and raised at base (Fig. 01-6/2 and 4).

When camshaft bearings with base 18 mm high are used up, only camshaft bearings with base 25 mm high will be supplied. They can also be installed on engines with suction oil chain tensioner version.

As a result of these changes, cylinder head bolts of different lengths were made available for these four assembly possibilities (refer to Fig. 01-6/1 to 4 and Table on next page).

In the event of repairs make sure that the specified cylinder head bolts are used.

If this is not done, the number of supporting threads may be insufficient and the threads in cylinder crankcase may tear, or thread ends may jam up.

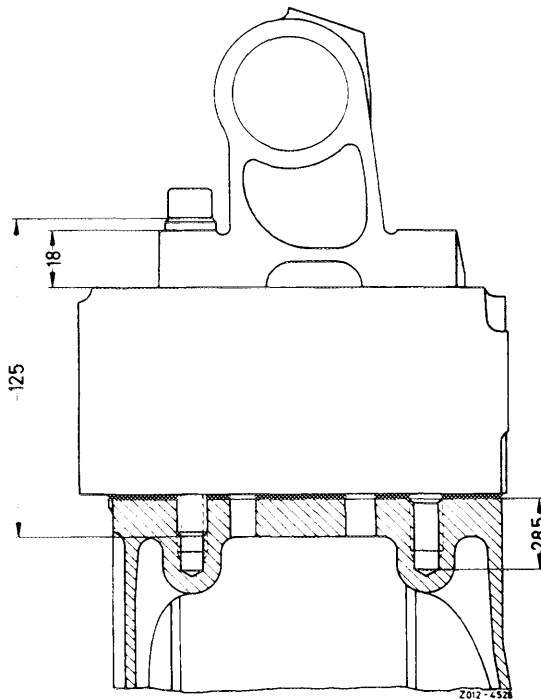


Fig. 01-6/1

Old version

Camshaft bearing with base 18 mm high, cylinder crankcase with tapped hole only 28.5 mm deep.

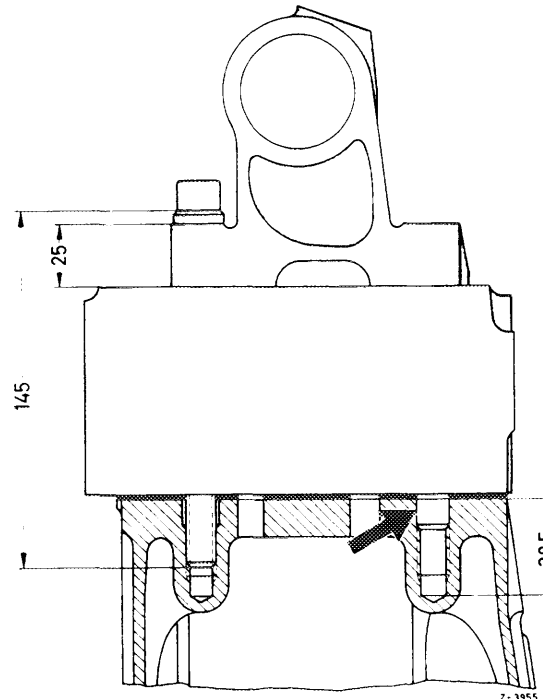


Fig. 01-6/2

New version

Camshaft bearing with base 25 mm high, cylinder crankcase with tapped hole 38.5 mm deep.

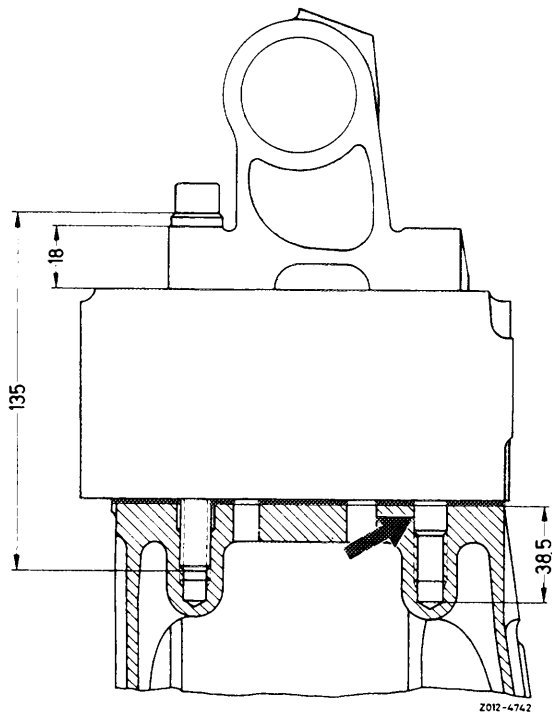


Fig. 01-6/3

Camshaft bearing with base 18 mm high, cylinder crankcase with tapped hole 38.5 mm deep.

For assembly according to Fig. 01-6/2 and 3, renew 18 cylinder head bolts, since cylinder crankcase has tapped holes 38.5 mm deep.

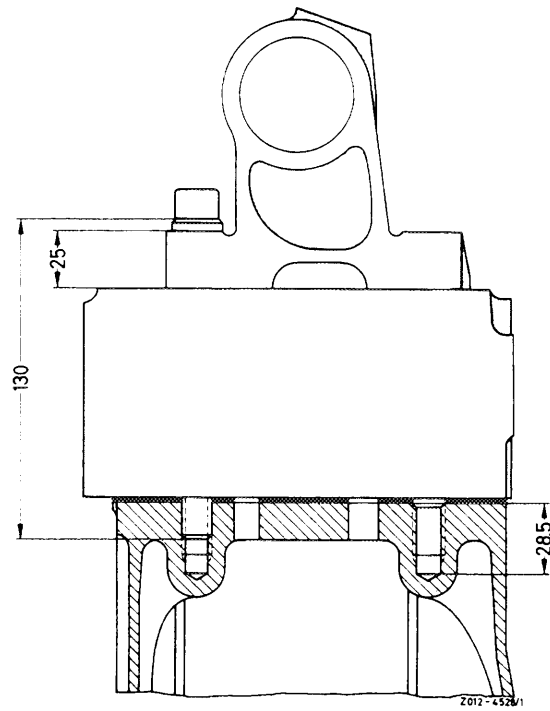


Fig. 01-6/4

Camshaft bearing with base 25 mm high, cylinder crankcase with tapped hole only 28.5 mm deep.

For assembly according to Fig. 01-6/4, only the 6 cylinder head bolts for the higher camshaft bearings with base 25 mm high must be replaced.

Quantity Dimension and Part No. of Cylinder Head Bolts for Assembly

Each	Fig. 01-6/1	Fig. 01-6/2	Fig. 01-6/3	Fig. 01-6/4
4	M 12 x 95 (000912 012024)	M 12 x 105 (000912 012029)	M 12 x 105 (000912 012029)	M 12 x 95 (000912 012024)
8	M 12 x 110 (000912 012031)	M 12 x 120 (000912 012107)	M 12 x 120 (000912 012107)	M 12 x 110 (000912 012031)
6	M 12 x 125 (000912 012036)	M 12 x 145 (000912 012040)	M 12 x 135 (000912 012111)	M 12 x 130 (000912 012106)