

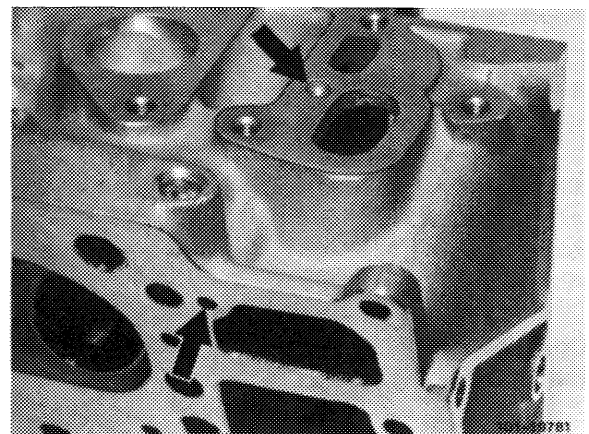
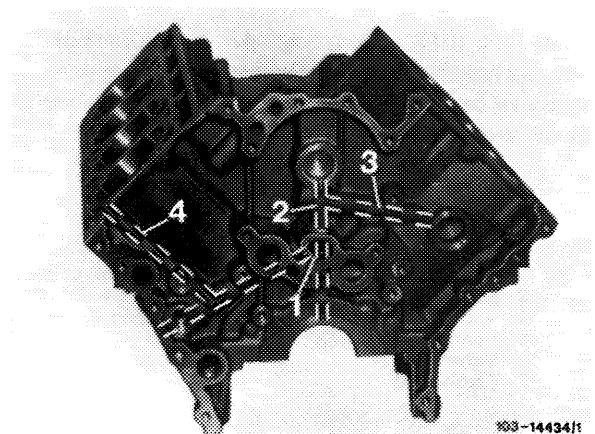
Tightening torques	Nm
Screws for chain tensioner on cylinder head	25
Coupling nut chain tensioner	90

---

**Note**

---

The hydraulic chain tensioner is provided with pressure oil by way of an oil duct (4) in cylinder crankcase front and in cylinder head (arrows).

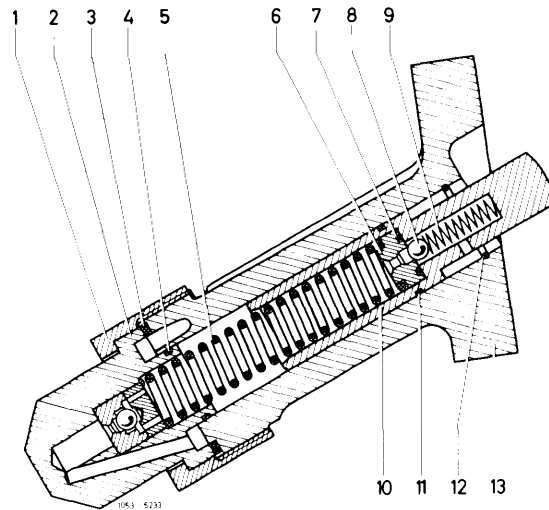


Since December 1974, the installed chain tensioner is provided with a venting bore for defoaming of the oil.

Venting proceeds when the oil pressure in engine oil circuit has been established and the chain tensioner is getting filled inside with oil.

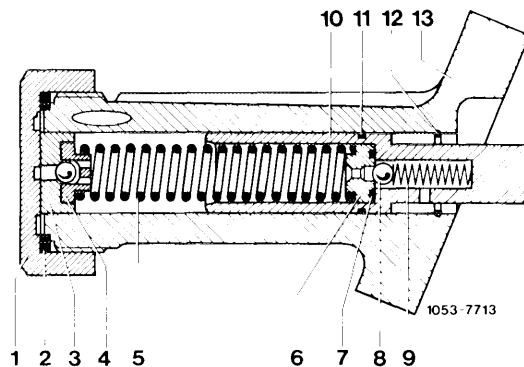
If this chain tensioner is used in engines 116.980/981/990/991 and 117.981/984, the upper mounting bracket of the righthand engine shock absorber must be changed to the extent that it will not rest against closing cap (2) of chain tensioner.

- |                      |                      |
|----------------------|----------------------|
| 1 Closing nut        | 8 Ball               |
| 2 Closing cap        | 9 Compression spring |
| 3 Sealing ring       | 10 Pressure bolt     |
| 4 Sealing ring       | 11 Sealing ring      |
| 5 Compression spring | 12 Circlip           |
| 6 Valve disc         | 13 Housing           |
| 7 Sealing ring       |                      |



Since June 1977, a chain tensioner with aluminum housing has been occasionally installed. This chain tensioner can be exchanged for chain tensioner used up to now, but cannot be disassembled.

- |                       |                      |
|-----------------------|----------------------|
| 1 Closing cap         | 8 Ball               |
| 2 Sealing ring        | 9 Compression spring |
| 3 Valve seat          | 10 Thrust bolt       |
| 4 Valve disc and ball | 11 Sealing ring      |
| 5 Compression spring  | 12 Circlip           |
| 6 Valve disc          | 13 Housing           |
| 7 Sealing ring        |                      |

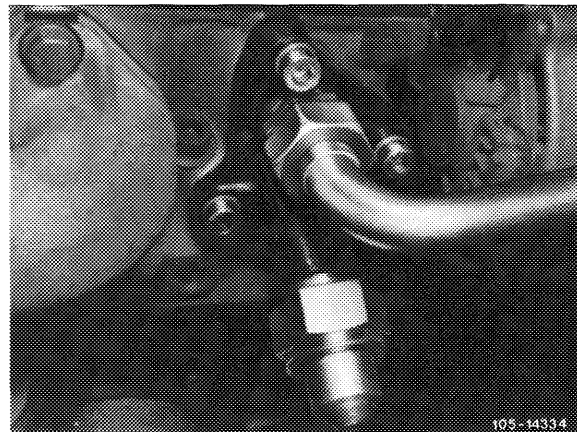


## Removal

1 Unscrew two fastening screws and remove chain tensioner.

Chain tensioners for engines with air injection for exhaust emission control are screwed-on with 3 fastening screws. In addition, the pipeline must be disconnected.

On engine 117.985 (USA) remove exhaust manifold and catalyst at the right.



## Checking and installing

Place chain tensioner into a vessel filled with engine oil. The chain tensioner should be positioned vertically in downward direction, and should rest in oil at least up to flange. By actuating pressure pin (10), the chain tensioner will be filled with oil and simultaneously vented.

After filling and venting, the chain tensioner should permit compression only very slowly, uniformly and at considerable force.

2 Mount chain tensioner with new gasket and tighten screws uniformly.

Pressure pin of chain tensioner should rest against lug of tensioning rail.