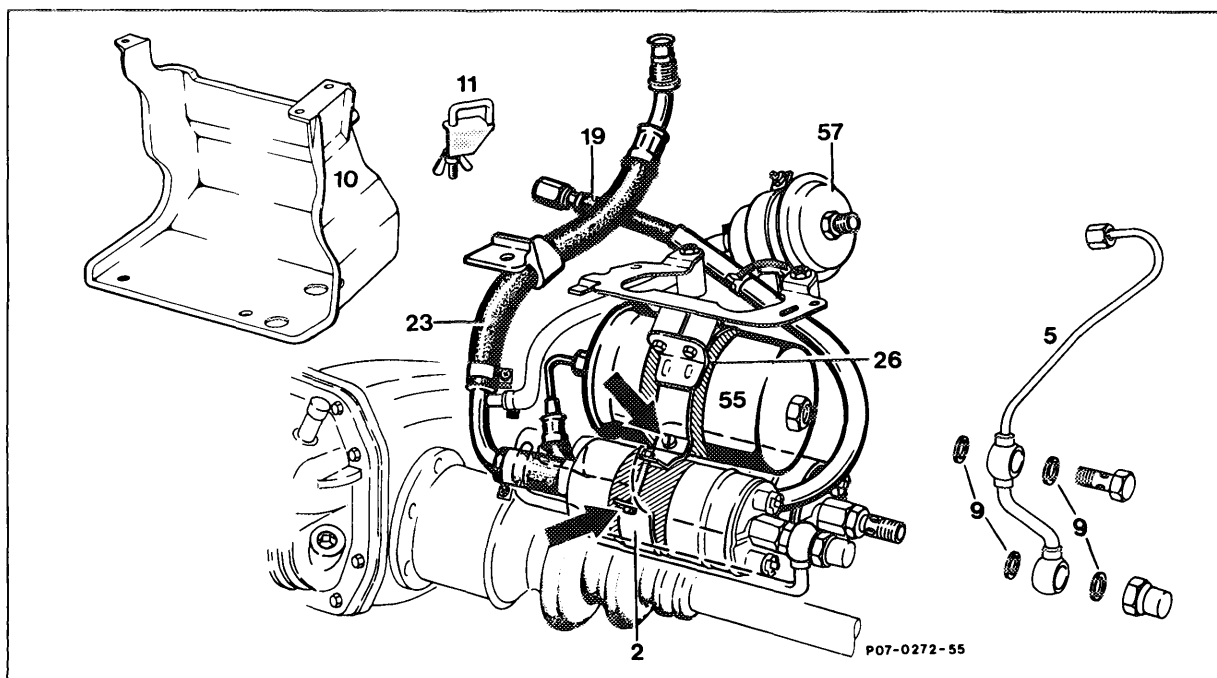
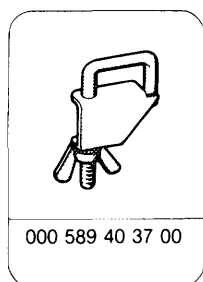


## 07.3-275 Removal, reinstallation of fuel filter



Pressure in fuel tank .....	release by opening screw cap.
Battery .....	disconnect, reconnect.
Protective box (10) .....	unscrew, screw on.
Fuel suction hose (23) and delivery hose (19) ...	pinch with clamp (11) and remove. Special tool 000 589 40 37 00
Fuel line (5) .....	unscrew from fuel tank (57), fuel filter, screw on.
Fuel delivery hose (19) .....	unscrew, screw on.
Mounting screws (arrows) .....	loosen from bracket (2) and remove fuel filter (55).
Plastic sleeve (26) .....	mount. (Observe note)
Sealing rings (9) .....	renew.
Engine, run .....	check for leaks.

## Special tool



### Note

In order to avoid contact corrosion the fuel filter is equipped with a plastic sleeve.

When exchanging the fuel filter ensure that the plastic sleeve (26) is mounted between fuel filter (55) and bracket (2). It must protrude on both sides of the bracket as contact corrosion could occur if the fuel filter is in direct contact with the bracket.