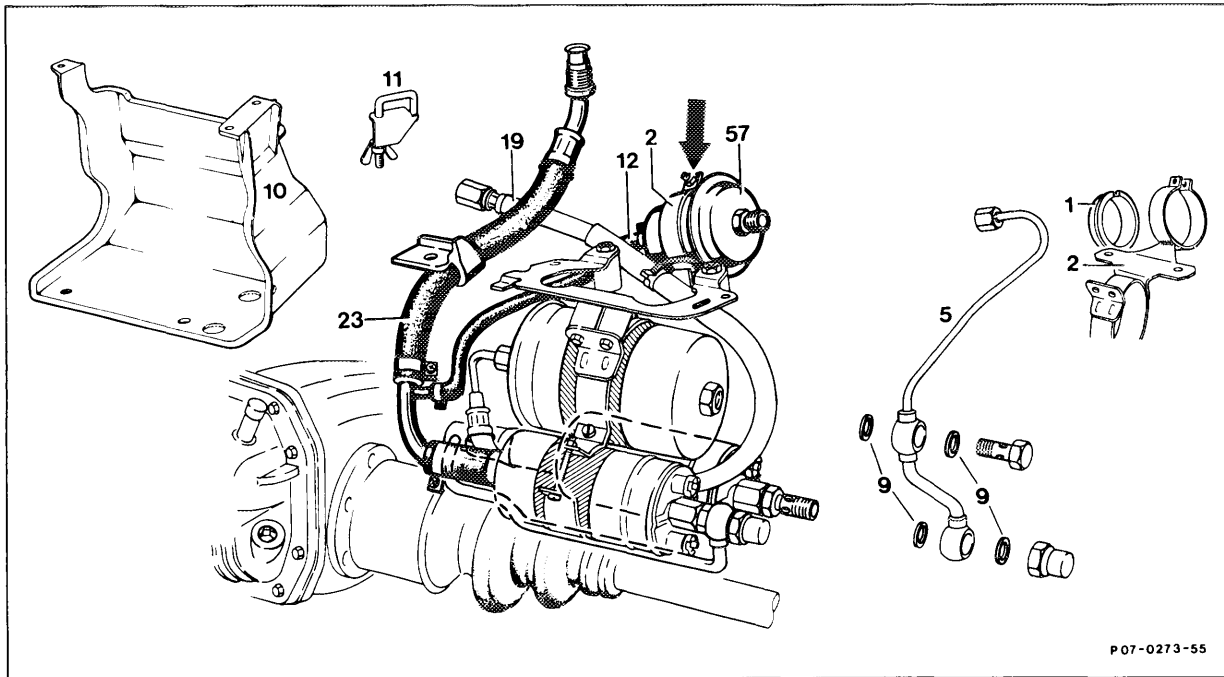


07.3-270 Removal, reinstallation of fuel accumulator



Pressure in fuel tank	release by opening screw cap.
Battery	disconnect, reconnect.
Protective box (10)	unscrew, screw on.
Fuel suction and delivery hoses (23, 19)	pinch with clamp (11) and remove. Special tool 000 589 40 37 00
Fuel line (5)	unscrew from fuel storage unit (57), fuel pump and fuel filter.
Leak-off hose (12)	loosen and pull off.
Mounting screw (arrow)	loosen from bracket (2) and remove fuel storage unit (57). Observe spacer ring (1) in bracket (2).
Sealing rings	renew.
Engine, run	check for leaks.

Special tool

