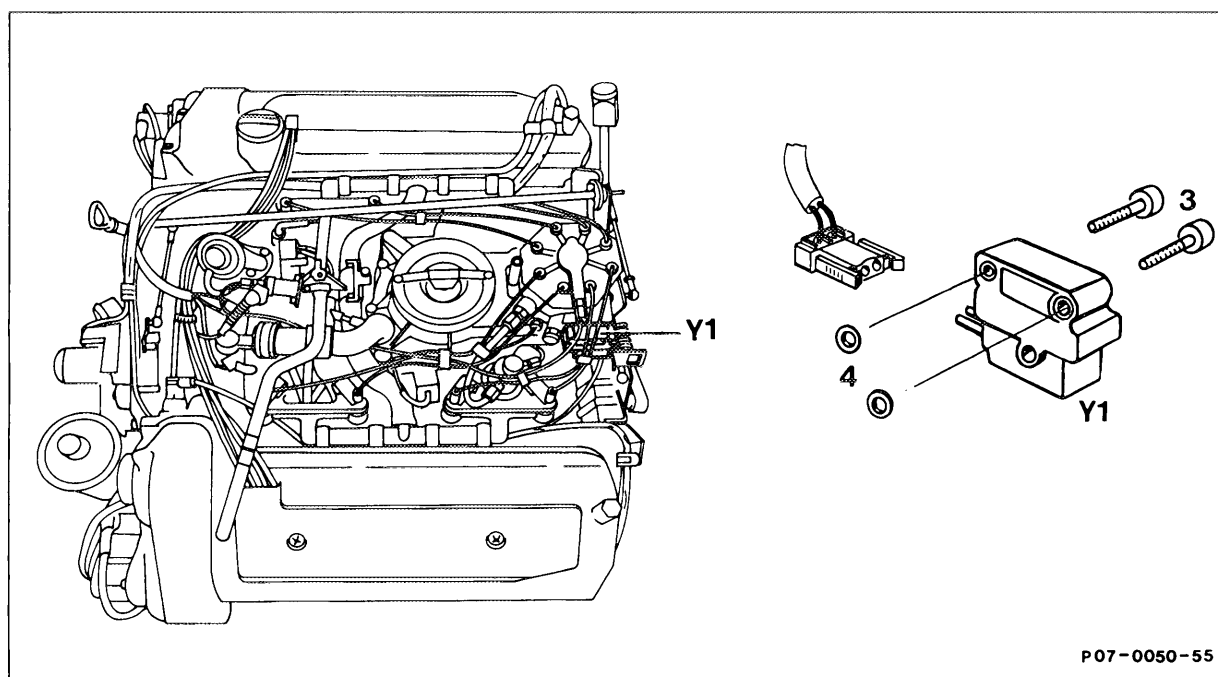


## 07.3-255 Renewing electrohydraulic adjusting element



P07-0050-55

|                           |  |
|---------------------------|--|
| Electrical coupling ..... | disconnect, reconnect.   |
| Fuel pressure .....       | relieve. For this purpose loosen fuel line between fuel distributor and starting valve. Collect any fuel running out with a cloth.   |
| Mounting screw (3) .....  | unscrew, screw in. Renew O-rings (4). Observe cleanliness of sealing surface and clean surfaces with benzine and a lint free cloth if required. Secure mounting screws with $3.0 \pm 0.5$ Nm |
| O-ring seal (4) .....     | check, no fuel must run out with running engine.   |
| Idle speed .....          | adjust.  |

**Commercially available tool**

Screwdriver 2115-T 27

e.g. Hazet, D-5630 Remscheid