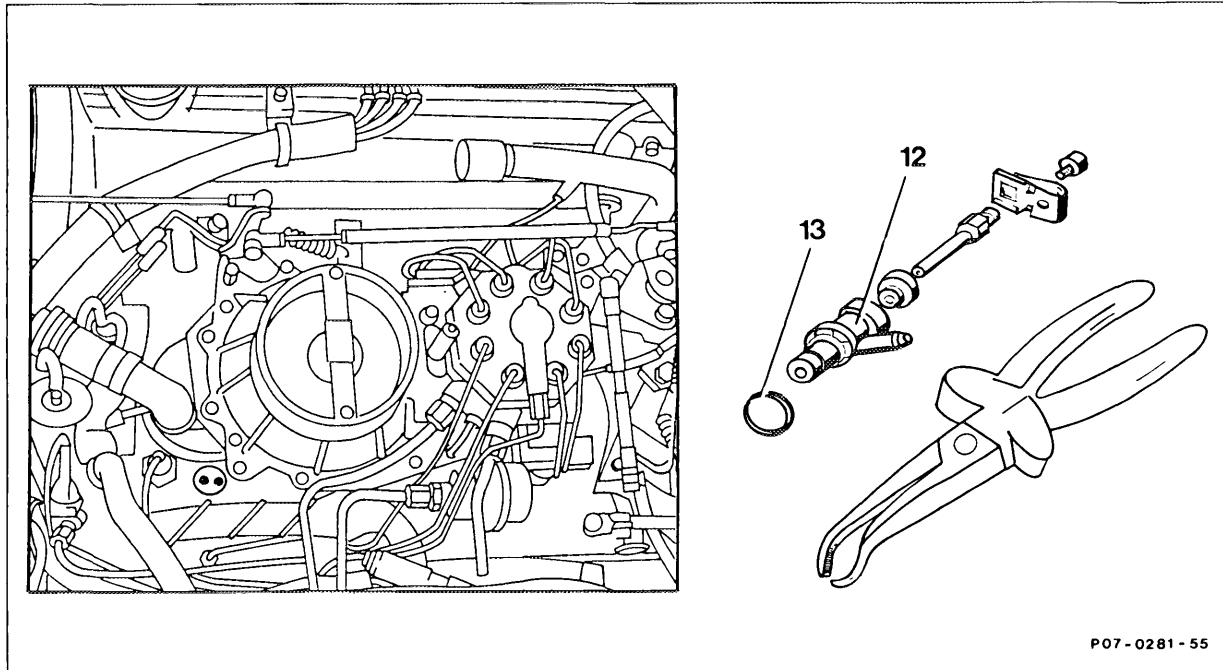


07.3-216 Removal, reinstallation of insulating sleeve

Preceding operation:

Removal, reinstallation of injection valves (07.3-215)



Ground cable on control bearing pedestal	rear left, disconnect, reconnect.
Shaped hose for auxiliary air	remove, mount.
Insulating sleeve (12)	with pulling pliers pull out, fit.
O-ring (13)	renew.

Commercially available tool

Pulling pliers ZSA m1

e.g. Beru, D-7140 Ludwigsburg
Beru order No. 2 908 847 002