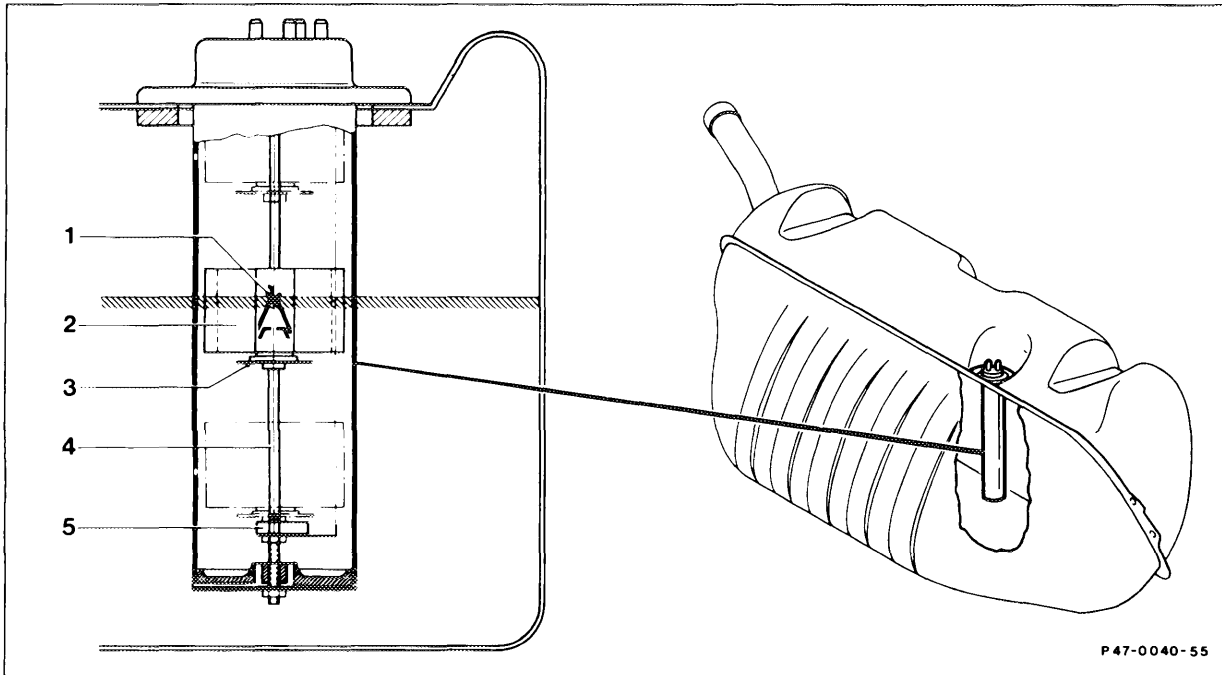


47-020 Function of fuel gauge sending unit



- 1 Wiper contact
- 2 Float
- 3 Contact plate

- 4 Guide and contact rod
- 5 Reserve fuel warning contact

As the fuel level drops, the variable resistance is increased by the float (2) as it moves down, which causes the current to drop and the needle in the fuel gauge drops back. If the fuel level drops to the reserve quantity, the reserve warning contact (5) closes and switches ground to the reserve warning lamp which causes it to light up when the engine is running.

Note

The reserve warning lamp illuminates with a weak light as a check function, and with a stronger light to indicate reserve quantity.

Check immersion tube sending unit (54-256) or fuel gauge (54-257).