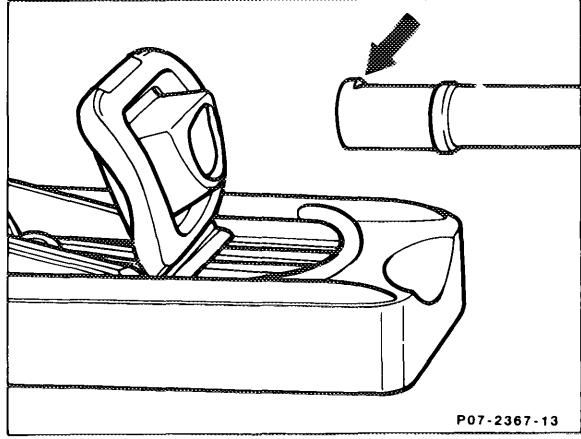
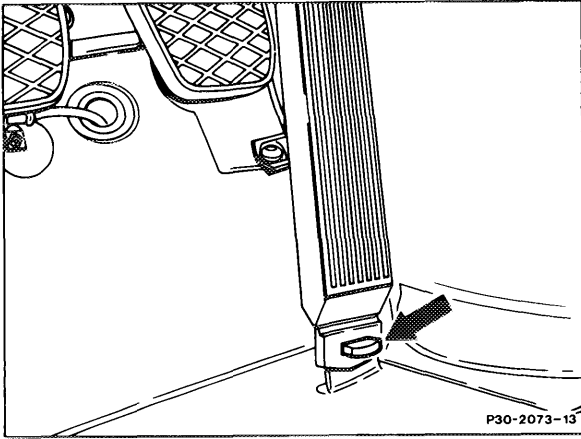


30-330 Removing and installing, renewing accelerator pedal



<p>Spreader clip (arrow)</p> <p>Accelerator pedal Model 107</p> <p>Accelerator pedal Model 126</p> <p>Installation</p>	<p>behind accelerator pedal, compress and remove.</p> <p>withdraw down the way.</p> <p>push up the way and turn through 180°. Pull off accelerator pedal down the way. The lug (arrow) on the accelerator pedal lever must be aligned with the slot in the accelerator pedal.</p> <p>Installation is performed in the reverse order. Ensure that the spreader clip correctly engages.</p>
--	---

The linkage from accelerator pedal lever to accelerator pedal is maintenance-free and does not require to be greased.