
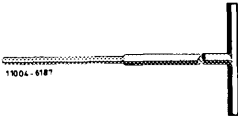



18–210 Removal and installation of oil pump

Tightening torques			Nm
Oil drain plugs to oil pan	Model 107	M 26	50
	Model 126	M 12	40
Oil pump to timing case cover			25
Sprocket to oil pump			28
Fastening screws oil pan to crankcase		M 6	10
		M 8	25
Fastening screws oil pan lower part to oil pan			10

Special tools

Torque wrench 25–130 Nm with plug-in ratchet 1/2" drive		001 589 66 21 00
Screwdriver (Allen wrench) 5 mm, 300 mm long for internal socket head screws		116 589 02 07 00
Socket insert 27 mm, 1/2" drive for turning the engine		001 589 65 09 00

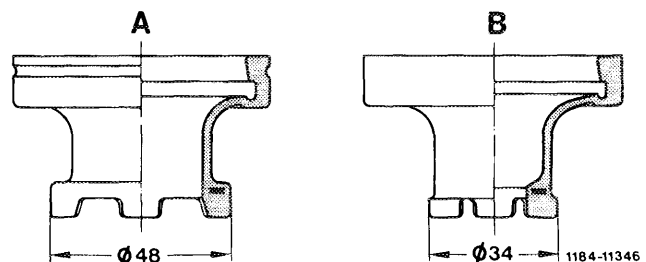
Note

During oil pump change, ensure uniform number of teeth on drive gear. If clamp for drive chain must be renewed, remove timing case cover (01–210).

The oil pump compensation piece version „B“ was installed as standard from November to December 1982, and must be replaced with version „A“ in the case of repairs.

Hardened oil pump compensation pieces must be renewed.

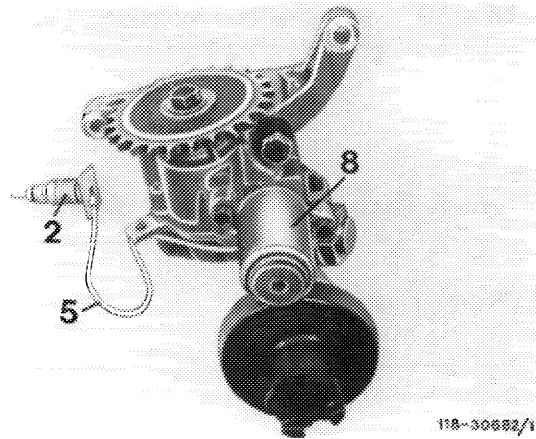
From October 1985, an oil level transmitter has been screwed to the oil pump. The plug connection of the electric line of the oil level transmitter passes through right-hand crankcase wall from inside to the outside and must be sealed with a sealing ring.



Removal

- 1 Drain engine oil.
- 2 On **model 107** remove **oil pan (01-210)**, on **model 126** remove **oil pan lower part**.
- 3 Place compensation weight of first crank pin in horizontal position.

- 2 Connection plug
- 3 Oil level transmitter

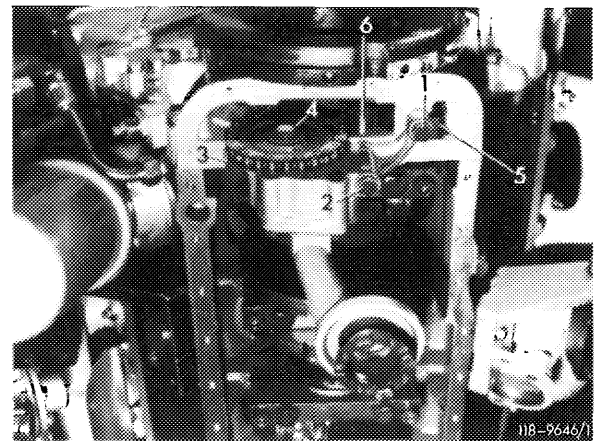


Model 107

- 4 Unscrew fastening screws (1, 2 and 3), tilt oil pump forward, remove drive chain from drive sprocket and remove oil pump.

Model 126

- 5 Unscrew screws (1, 2 and 3).
- 6 Loosen screw (4) on drive sprocket, tilt oil pump toward the rear and remove the screw.
- 7 Push drive sprocket away from oil pump by means of a screwdriver and remove oil pump.
- 8 Lift drive sprocket out of drive chain.



Installation

Model 107

9 With oil pump tilted forward, place drive chain on drive sprocket, screw in fastening screws (1, 2 and 3) and tighten to 25 Nm.

Model 126

10 Engage drive sprocket in drive chain.

11 Push oil pump onto drive sprocket. The dowel sleeve in the drive sprocket should enter the recess in the drive shaft (arrows).

12 Tilt oil pump to the rear, screw in screw (4) and tighten to 28 Nm.

13 Screw in fastening screws (1, 2 and 3) and tighten to 25 Nm.

Caution!

When tightening screw (1), secure tension spring (5) of clamp (6) with a screwdriver to prevent turning.

14 Install oil pan (model 107, 01–210) or oil pan lower part (model 126) with new gasket and tighten fastening screws to 10 Nm (thread M 6) or 25 Nm (thread M 8).

15 Fill in engine oil.

16 Run engine, check oil pressure, check for leaks.

17 Check oil level and correct if required.

