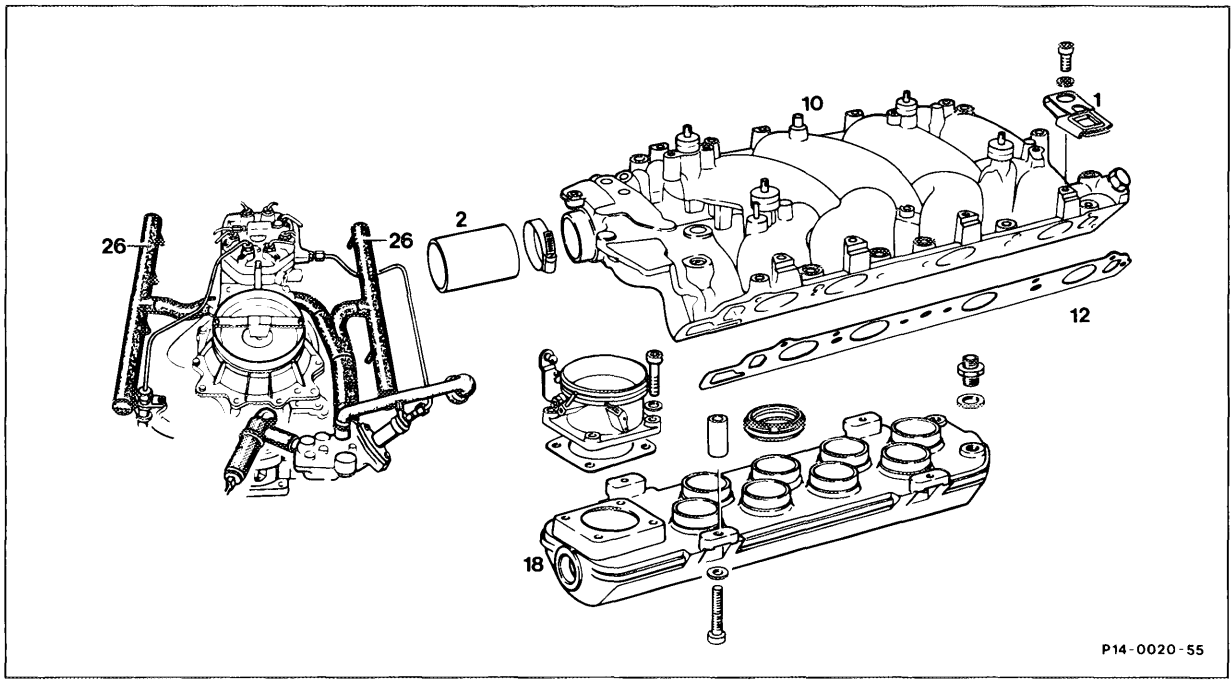


14-455 Renewing intake manifold (intake manifold removed)

Preceding operation:
 Intake manifold removed (14-450)



P14-0020-55

- | | |
|---------------------------------------|--|
| Remaining detachable parts | transfer from removed intake manifold to new manifold. Use new gaskets. |
| Intake manifold upper part (10) | unscrew from intake manifold lower part (18). To do so, loosen vacuum line for brake booster on intake manifold lower part, then remove mounting screws and pull off the rubber spacers. |
| Intake manifold lower part (18) | install with new rubber spacers to intake manifold upper part. |