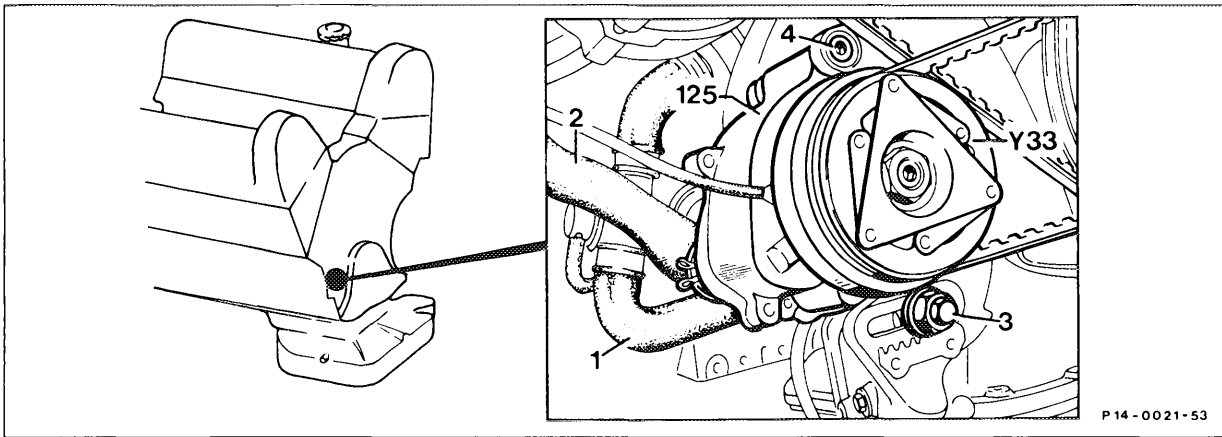
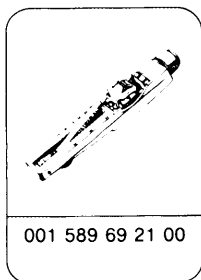


14-250 Removal, reinstallation of air pump



- | | |
|--|---|
| Connector for electromagnetic clutch (Y33) | pull off. Lace out wire. On vehicles with auxiliary heater, unscrew bracket for auxiliary heater. |
| Shaped hoses (1 and 2) | remove, refit. |
| V-belt | slacken and remove. |
| Air pump (125) | remove, reinstall by removing mounting screws (3 and 4). |
| V-belt | install and tension (13-340). For measuring, use special tool 001 589 69 21 00. Adjusting values according to KG scale on measuring device: |
| | New V-belts 30 |
| | Used V-belts 20-25 |
| Electromagnetic clutch | remove, reinstall (14-260). |
| Special tool | Handling of measuring device see operating instructions or repair instructions (13-340). |

Special tool



Note

Bearings of pulley shaft reinforced.

Production breakpoint: January 1986

Model	Engine	Engine end No.
126.035	116.965	008548
107.048	117.967	004085
126.039		
126.045	117.968	003175