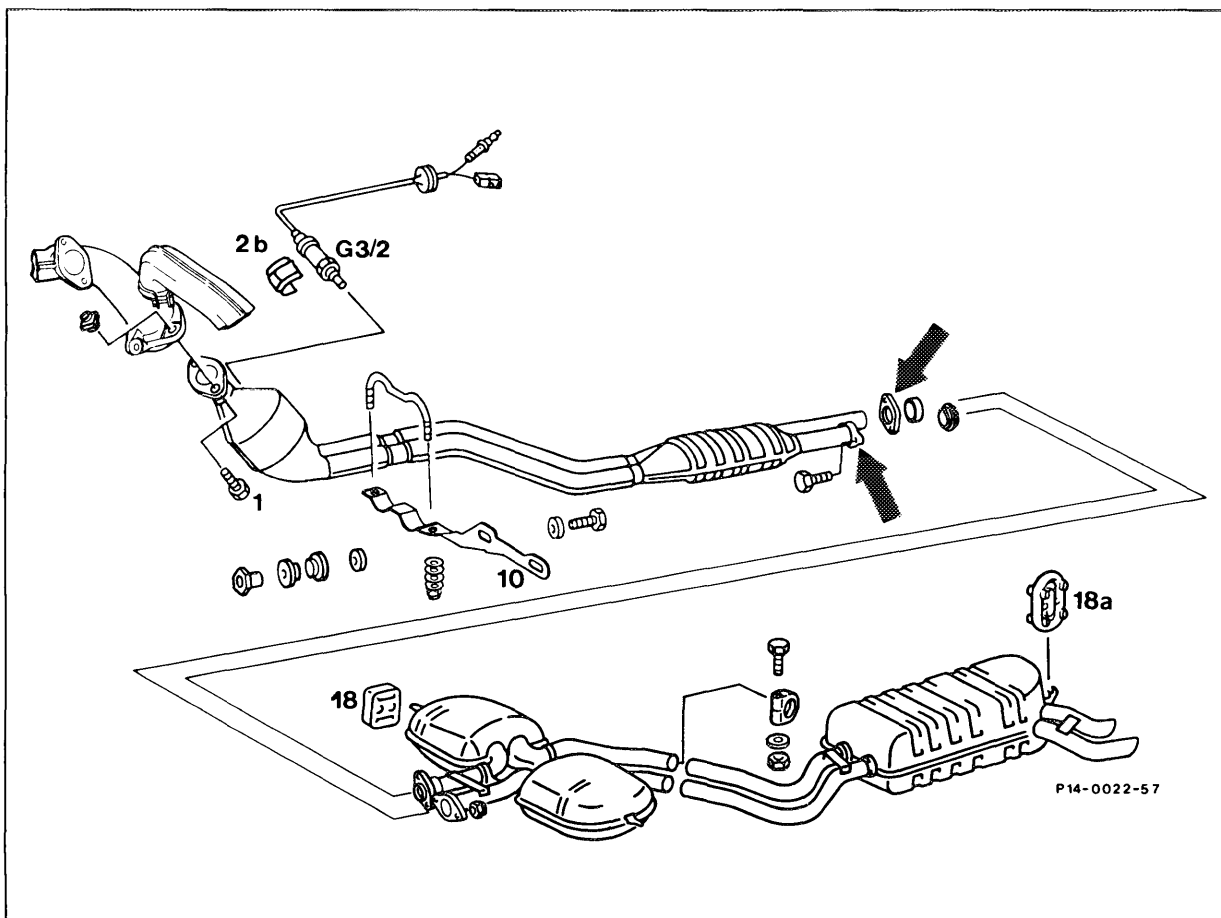


14-200 Removal, reinstallation of catalytic converter



- | | |
|--|---|
| Cover (2b) | remove, reinstall. Observe installation position. |
| Oxygen sensor (G3/2) | remove, reinstall (14-480). |
| | Note |
| | Before installing the oxygen sensor, coat the thread with the hot lubricating paste part No. 000 989 88 51. |
| Screws (1) of flange connection on exhaust manifolds | unscrew, screw on. |
| Lateral support (10) on transmission | remove, reinstall. |
| Rubber rings (18 and 18a) for exhaust system ... | disconnect, reconnect. |
| Exhaust system | completely remove, reinstall (49-100). |
| Flange connections (arrows) | loosen and remove catalytic converter. |