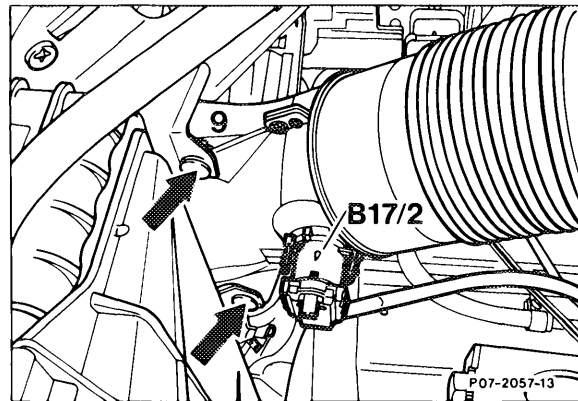


09-402 Renewing intake scoop



Electrical connection wire and intake air temperature sensor (B17/2)	not applicable
Both spreading clips (arrows)	remove, reinstall.
Lighting unit	remove, reinstall (82-052).
Lighting unit	adjust (82-040).

Note

The air is drawn in via the intake scoop (9) from outside the engine compartment.