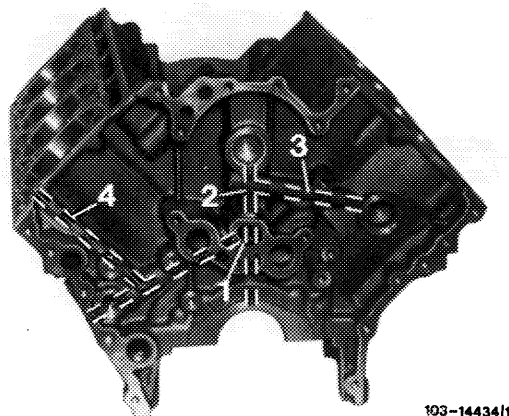


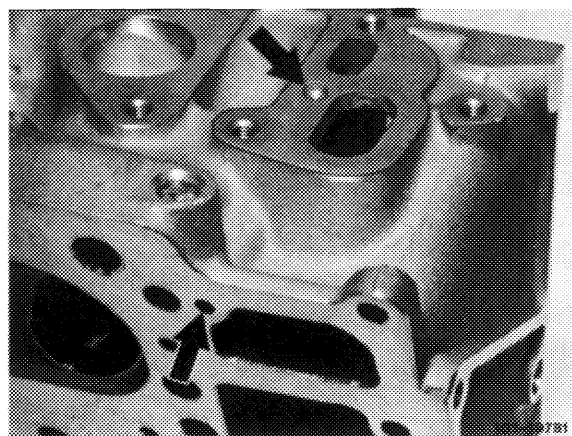
Tightening torques	Nm
Screws for chain tensioner on cylinder head	25
Coupling nut for chain tensioner	90

**Note**

The hydraulic chain tensioner is supplied with hydraulic oil by the way of an oil duct (4) in the cylinder crankcase front and in the cylinder head (arrows).



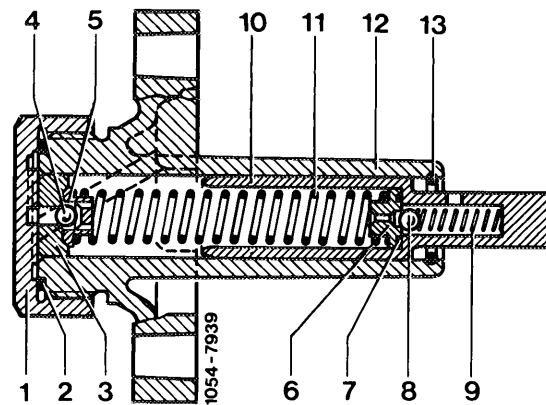
103-14434/1



The contact pressure of the thrust bolt (10) against the tensioning rail is held constant by the check valve (4 and 5) and the pressure limiting valve (6 and 8) together with the compression spring (11), regardless of engine oil pressure.

Venting takes place after the oil pressure in the engine oil circuit has been established and the chain tensioner is being filled up with oil.

- |                                   |                       |
|-----------------------------------|-----------------------|
| 1 Closing nut                     | 8 Ball 5 mm dia.      |
| 2 Aluminum sealing ring A 25 x 30 | 9 Compression spring  |
| 3 Ball seat ring                  | 10 Thrust pin         |
| 4 Ball 5 mm dia.                  | 11 Compression spring |
| 5 Ball cage                       | 12 Housing            |
| 6 Valve disk                      | 13 Circlip B 16       |
| 7 O-ring                          |                       |



### Caution!

As of June 1980, the chain tensioner has been provided with a reinforced flange of 17 mm (previously 12 mm).

Mount chain tensioner with 17 mm flange by means of screws M 8 x 30 mm (previously M 8 x 25 mm).

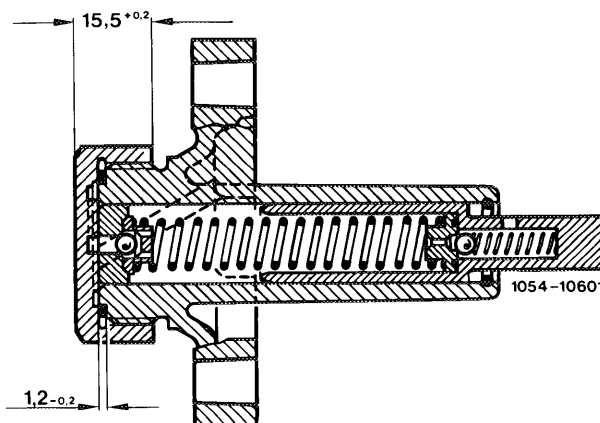
The chain tensioner housing and the closing nut dimensions were changed.

The reason for this were cracked and leaking closing nuts.

Chain tensioner housing: dimension  $1.2^{-0.2}$  was 1.5 mm

Closing nut: dimension  $15.5^{+0.2}$  was 14.5 mm

The part No. of the chain tensioner has not been changed.



### Removal and installation

1 Remove fastening screws and remove chain tensioner.

2 Mount chain tensioner with a new gasket and tighten screws uniformly.

The pressure pin of the chain tensioner should rest against the tension rail lug.

**Note:** In the event of repairs, replace complete chain tensioner.