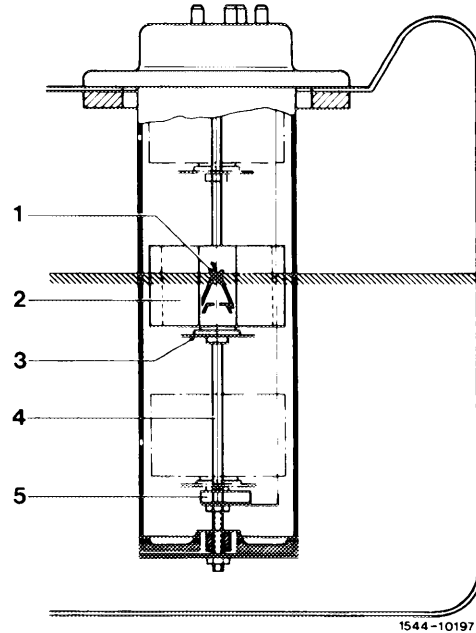


## 47-715 Functional description immersion tube transmitter for fuel gauge

All models

When the fuel level drops, the slide contact (1) on float (2) of immersion tube transmitter increases the resistance value, the voltage drops and the indicating needle in instrument will move back.

When the fuel level drops still further, the reserve warning contact (5) in immersion tube transmitter is closed so that the reserve warning lamp is connected to ground.



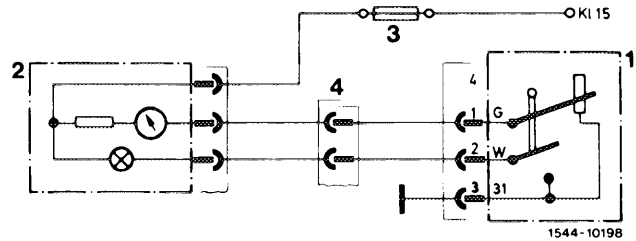
### Immersion tube transmitter

- |                 |                           |
|-----------------|---------------------------|
| 1 Slide contact | 4 Guide and contact rod   |
| 2 Float         | 5 Reserve warning contact |
| 3 Contact plate |                           |

Indicating instrument and reserve warning lamp are energized via fuse when the ignition is switched on.

### Sedan

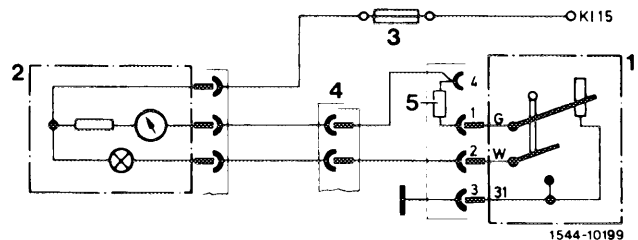
- |                              |
|------------------------------|
| 1 Immersion tube transmitter |
| 2 Fuel gauge                 |
| 3 Fuse                       |
| 4 Cable connector            |



On T-sedans and special vehicles with special body, the coupler of the immersion tube transmitter is provided with a trimmer resistor 4.7 ohms (colored rings yellow/purple/gold/gold), so that the same indicating instrument can be used in spite of different fuel tanks.

### T-sedan and special vehicles with special body

- |                              |
|------------------------------|
| 1 Immersion tube transmitter |
| 2 Fuel gauge indicator       |
| 3 Fuse                       |
| 4 Cable connector            |
| 5 Resistance 7 ohms          |



Check fuel gauge (54-269).