

A. Model 115.1

Filling capacity in liters

Version	All, except (USA) 1976	(USA) 1976
Full readout	approx. 65	approx. 78
Warning lamp, reserve	approx. 9	approx. 10

Tightening torques

		Nm
Nuts for fuel tank		17-25
Nuts for fuel tank, self-locking		26-34
Fuel strainer		35-43
Immersion tube transmitter		3.5-4

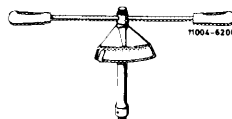
Special tools

Clamp for fuel hose



000 589 40 37 00

Torque wrench double-arm, 1/2" square, 15-65 Nm



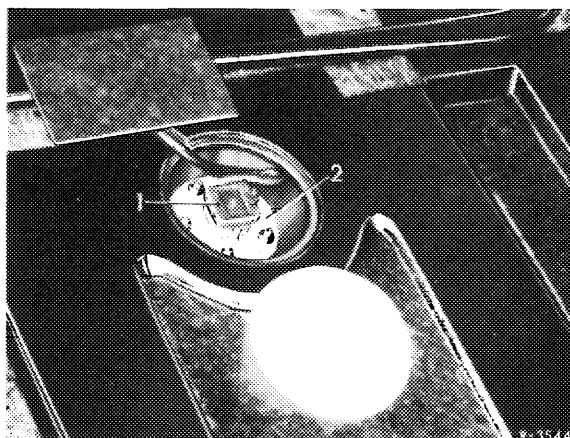
000 589 27 21 00

Attention!

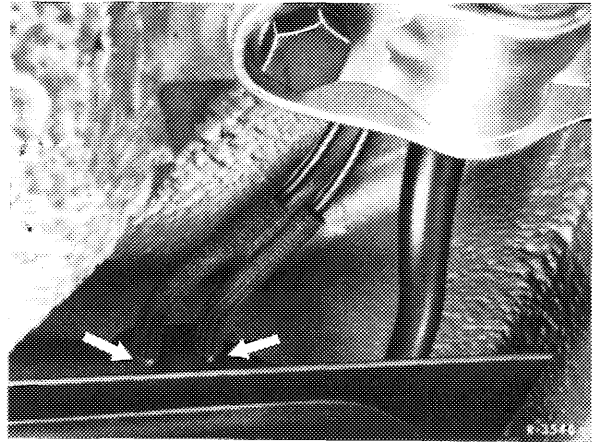
Pay attention to safety rules when removing fuel tank.

Removal

- 1 Disconnect ground connecting line on battery.
- 2 Drain fuel tank. Carefully pump-out fuel, so that no residual fuel remains in fuel tank.
- 3 Pull off coupler (1) for fuel readout.

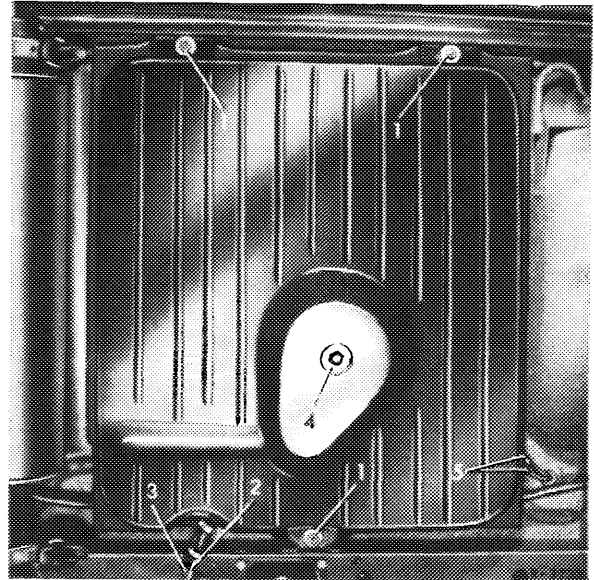


4 Loosen hose clamps (arrows) on vent lines, pull off hoses, tightly close lines and hoses.



5 Loosen hose clamps on feed (2) and return line (3), pull off both hoses on fuel tank and collect residual fuel out of hoses. Close hoses and pipe connections well.

6 Unscrew nuts (1) and remove fuel tank in downward direction.

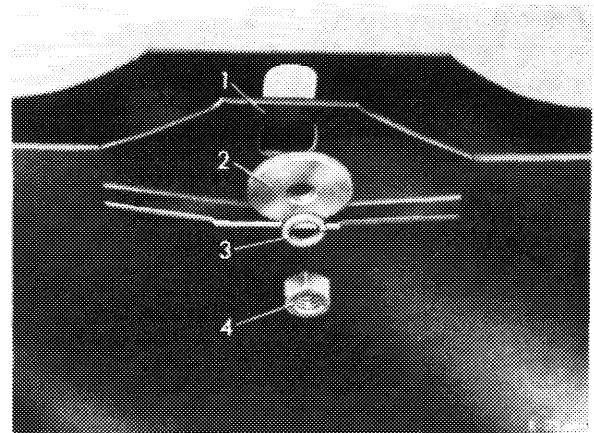


Installation

Install fuel tank in vice-versa sequence. Proceed as follows:

7 Mount fuel tank with specified reinforcing panels (1) and washers (2).

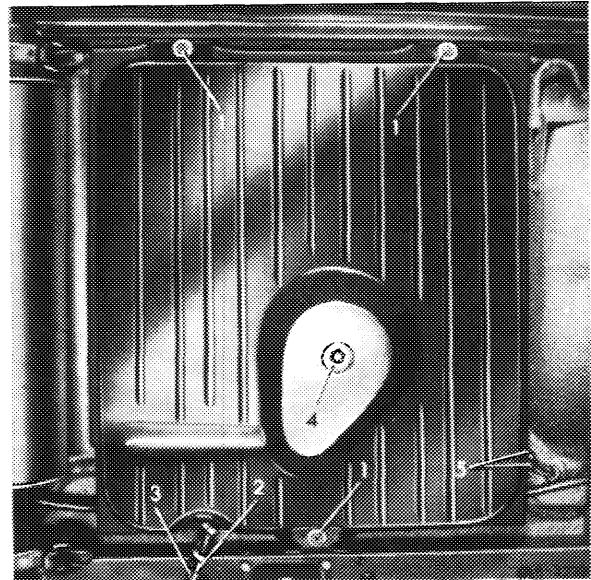
If the reinforcing panels are not fitted or if the washers are too small, mounting brackets on fuel tank may be torn off.



8 Check whether foam rubber strips on fuel tank are tight, glue down with MB-universal glue, part No. 000 989 92 71, if required.

Note: Never use felt or similar material, since this may result in corrosion damage.

9 Tighten the three nuts (1) to 17–25 Nm. When using self-locking nuts, tighten to 26–34 Nm.

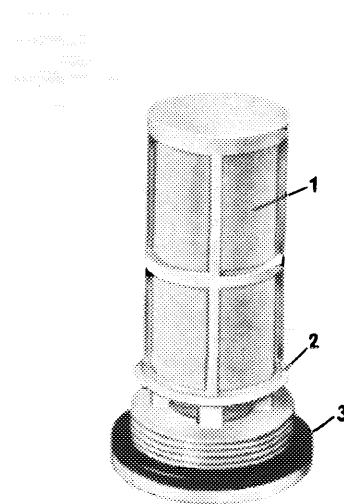


10 Blow out strainer jacket (1) and check for damage. Install fuel strainer and tighten to 35–43 Nm.

Note: The filter consists of square mesh of 0.6 mm mesh width. To prevent mixing-up fuel strainers, the word "diesel" is punched-in.

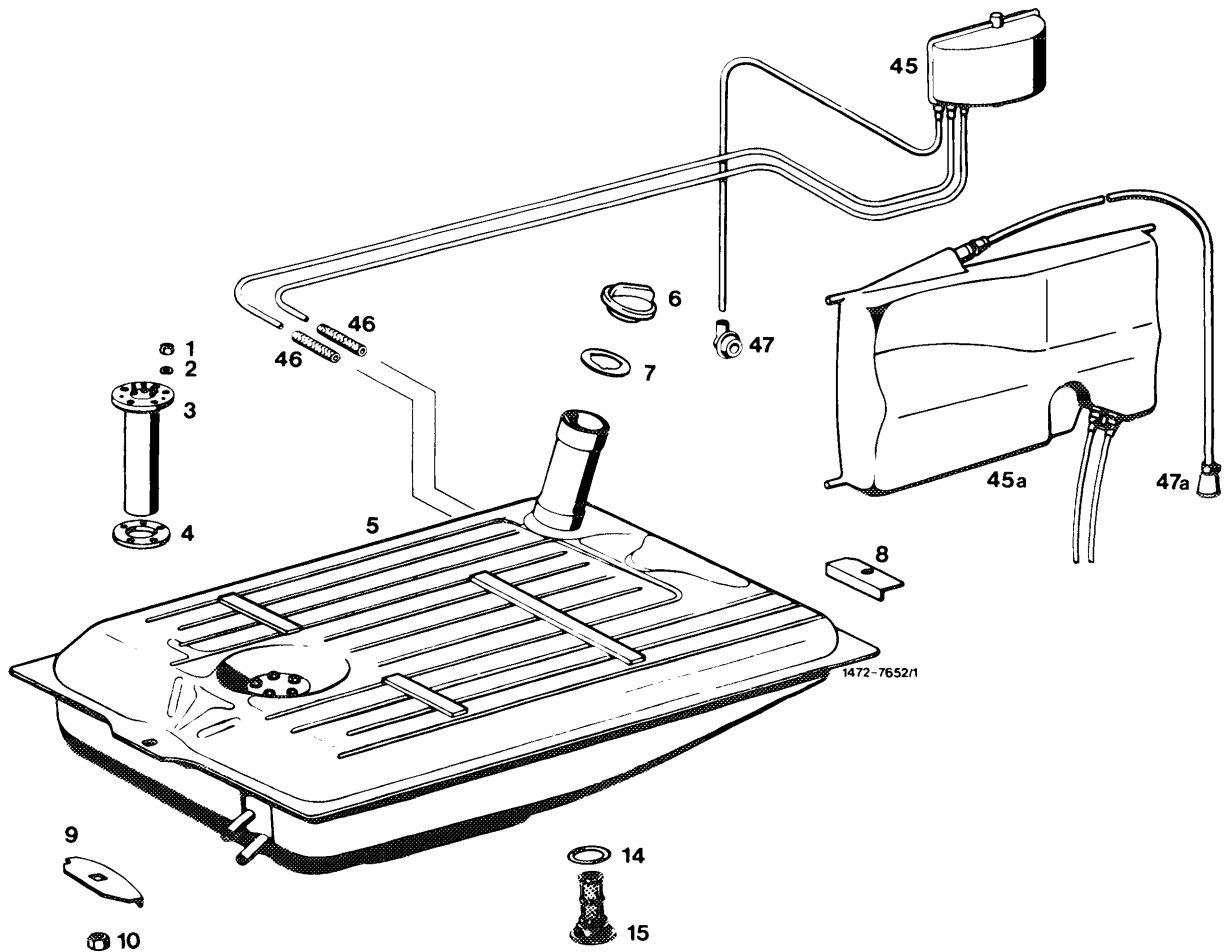
11 Connect grounding line to battery, check operation of fuel readout (fuel gauge).

12 Check fuel system for leaks.



R-1330

Fuel system, fuel tank positive and negative venting
Model 115.1



- | | |
|------------------------------|--|
| 1 Nut | 14 Sealing ring |
| 2 Spring washer | 15 Fuel strainer |
| 3 Immersion tube transmitter | 45 Fuel expansion tank |
| 4 Gasket | 45a Fuel expansion tank (special vehicles with special body) |
| 5 Fuel tank | 46 Fuel hose |
| 6 Filler cap | 47 Rubber sleeve |
| 8 Reinforcing panel | 47a Protective sleeve (special vehicles with special body) |
| 9 Reinforcing panel | |
| 10 Hex. nut | |

B. Model 123.1 sedans and coupes

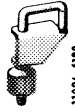
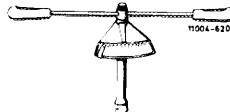
Filling capacity in liters

Version	All, except (AUS) and (USA) 1977–1979	(USA) 1977–1979
Full readout	approx. 65	approx. 80
Warning lamp – reserve	approx. 9.5	approx. 10.5

Tightening torques

		Nm
Nuts for fuel tank		17–25
Immersion tube transmitter		35–43
Fuel strainer		
Suction hose		24–32

Special tools

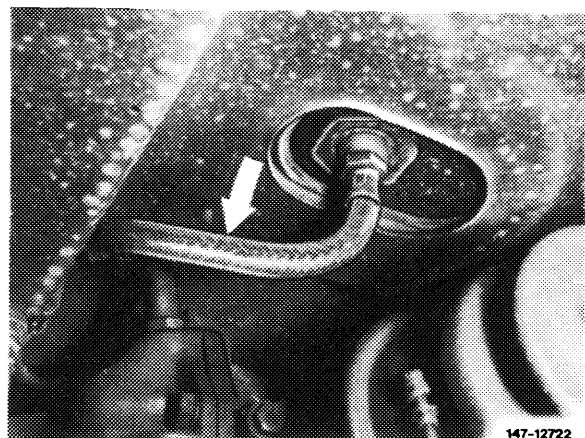
Clamp		000 589 40 37 00
Torque wrench double-arm, 1/2" square, 15–65 Nm		000 589 27 21 00

Attention!

Pay attention to safety rules when removing fuel tank.

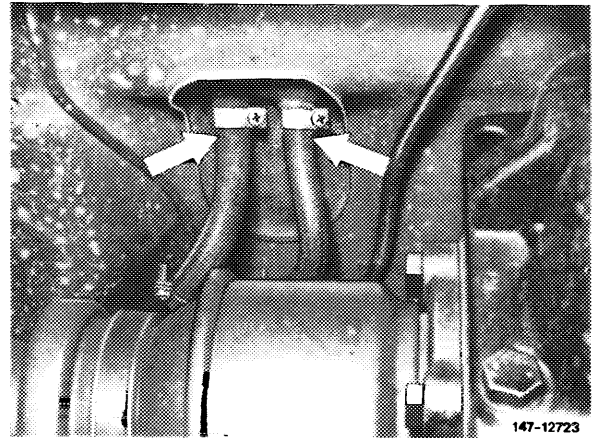
Removal

- 1 Disconnect grounding line on battery.
- 2 Drain fuel tank. Carefully pump-out fuel, so that no residual fuel remains in fuel tank.



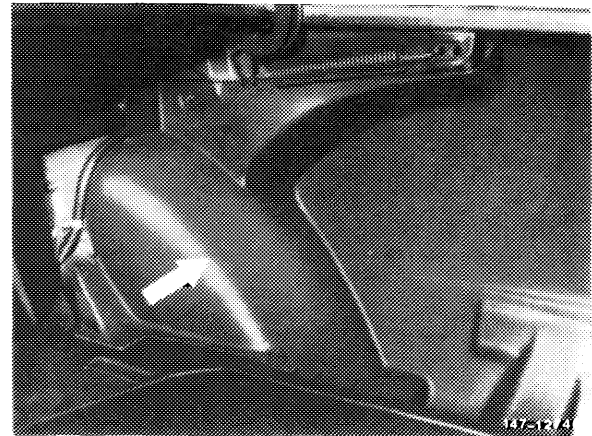
147-12722

3 Loosen hose clamp on suction hose (arrow) and pull suction hose from feed line. Catch residual fuel remaining in suction hose and feed line. Tightly close suction hose and feed line.

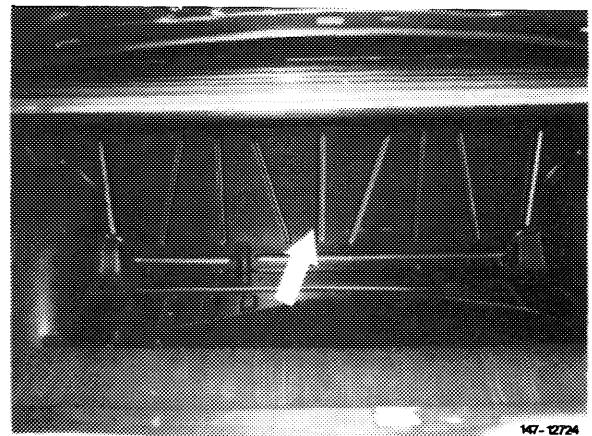


4 Loosen hose clamps on fuel return hose and on vent hose (arrows) and pull both hoses from fuel tank. Catch residual fuel and tightly close both hoses and pipe connections.

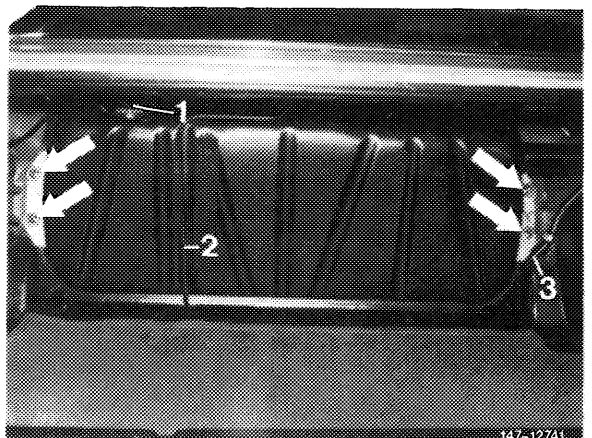
5 Remove trunk floor mat. Remove lateral lining (arrow).



6 Loosen rear wall screws and remove rear wall (arrow).



7 Loosen nuts (arrows). Pull coupler (1) for fuel readout from immersion tube transmitter and secure against slipping-off with wire. Lift-out fuel tank.

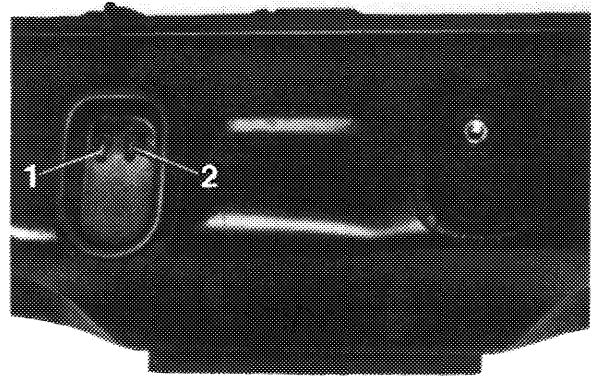


Installation

8 Install fuel tank in vice-versa sequence. Pay attention to the following:

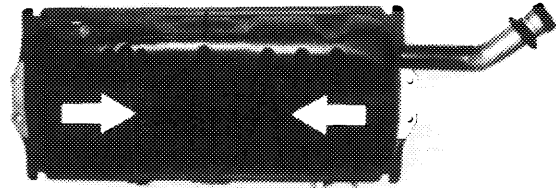
a) Glue-down both gaskets on bottom of fuel tank with MB-universal glue, part No. 000 989 92 71. For installation, coat both gaskets on sealing surface or bead with sliding compound (talcum, wax or the like).

- 1 Positive and negative vent line
- 2 Fuel return line

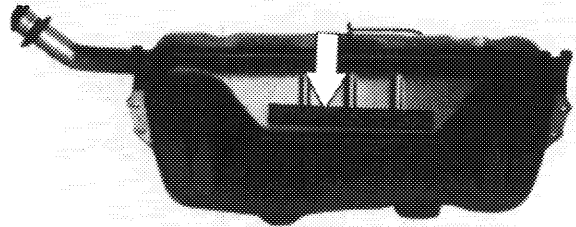


147-16858

b) Check whether foam rubber strips are tightly glued to fuel tank, glue-down with MB-universal glue, part No. 009 989 92 71, if required.



147-16857



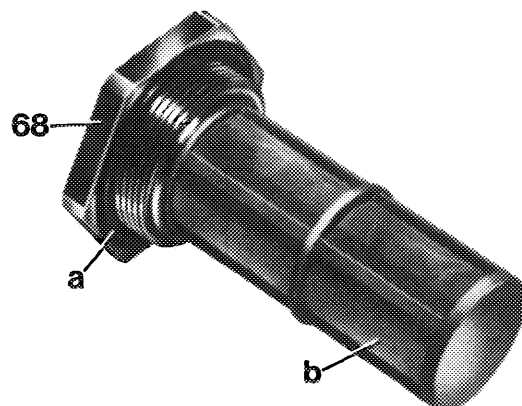
147-16856

c) Blow out strainer (b) and check for damage. Renew sealing ring (a). Tighten fuel strainer (68) to 35–43 Nm.

d) Mount fuel tank with reinforcing panels and washers provided. Tighten fastening nuts to 17–25 Nm.

e) Pay attention to correct seat of rubber sleeve on fuel filler neck.

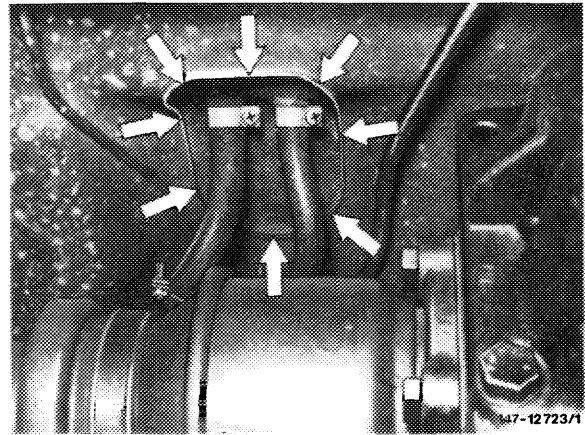
f) Mount coupler for fuel readout and check for function (grounding line on battery connected).



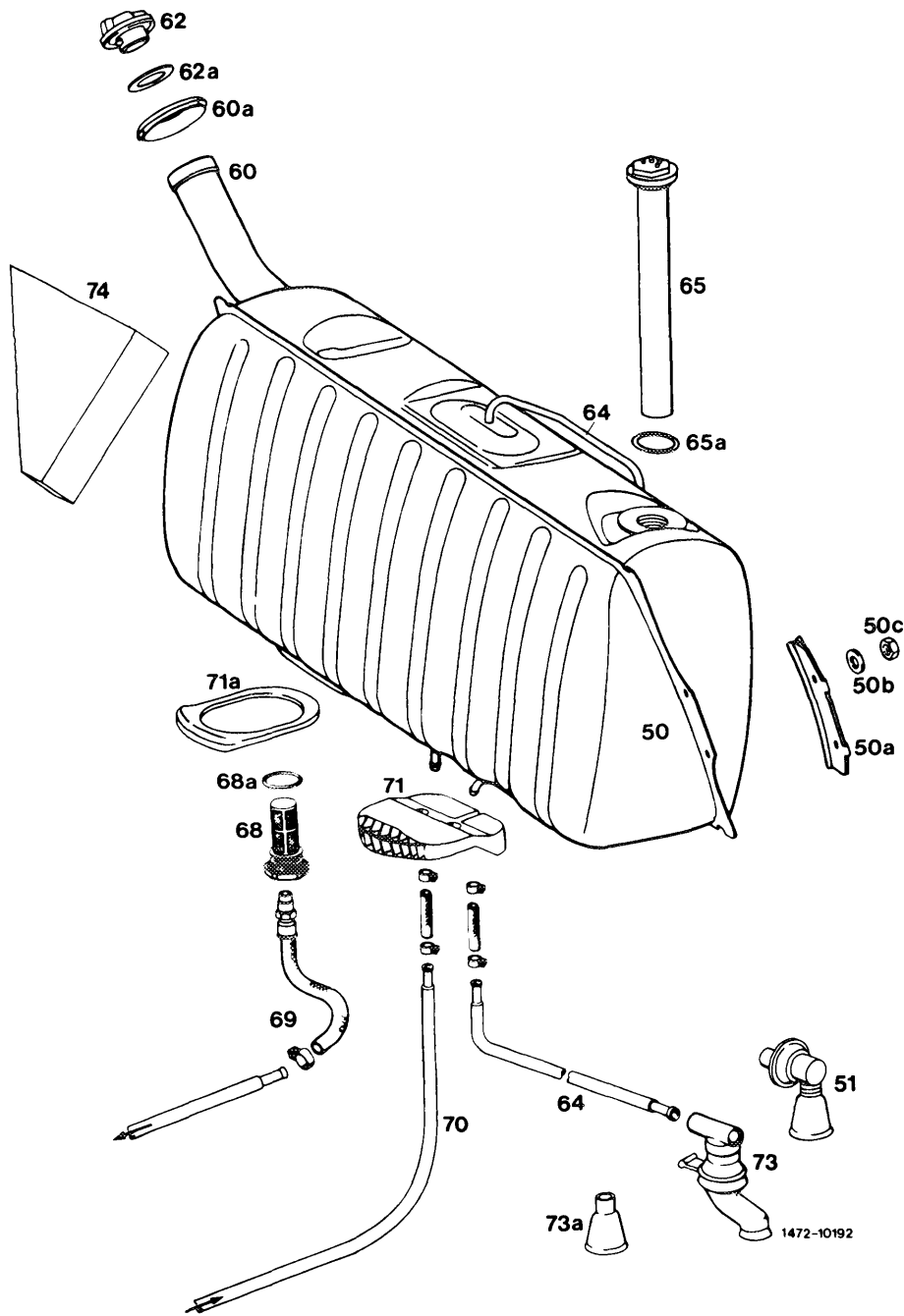
147-17012/1

g) Check seal between fuel tank and trunk floor and re-seal, if required. For this purpose, carefully apply Unionzement by means of a brush or the like from bottom of vehicle.

h) Check fuel system for leaks.



Fuel system, fuel tank positive and negative venting
 Model 123.1 sedans and coupes



- | | | |
|---|-------------------------------|-------------------------------------|
| 50 Fuel tank | 62 Closing cover | 69 Feed line |
| 50a Reinforcing panel | 62a Sealing ring | 70 Return line |
| 50b Washer | 64 Vent line | 71 Gasket |
| 50c Nut | 65 Immersion tube transmitter | 71a Gasket |
| 51 Vent valve (USA only
starting 1981) | 65a Sealing ring | 73 Vent sleeve (2nd version) |
| 60 Filler neck | 68 Fuel strainer | 73a Protective sleeve (1st version) |
| 60a Sealing sleeve | 68a Sealing ring | 74 Damping shim |

C. Model 123.1 T-sedans and special vehicles with special body

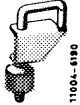
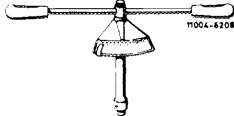
Filling capacity in liters

Full readout	approx. 70
Warning lamp, reserve	approx. 11

Tightening torques

	Nm
Nuts for fuel tank, self-locking	26–34
Fuel strainer	35–43
Immersion tube transmitter	

Special tools

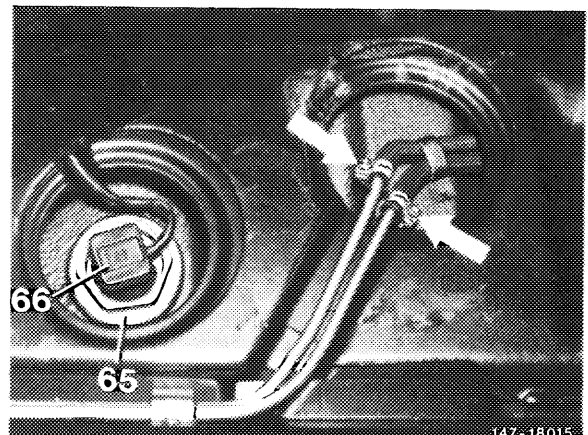
Clamp for fuel hose		000 589 40 37 00
Torque wrench double-arm, 1/2" square, 15–65 Nm		000 589 27 21 00

Attention!

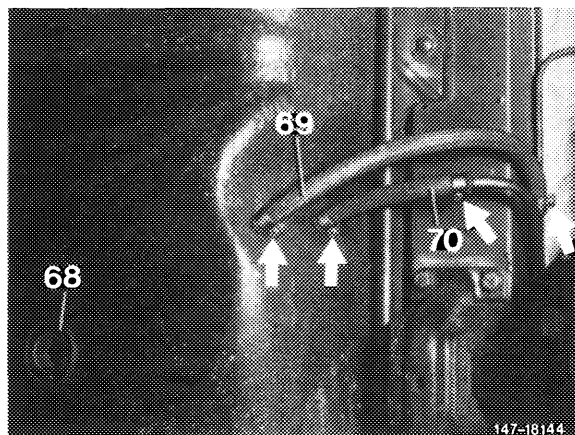
Pay attention to safety rules when removing fuel tank.

Removal

- 1 Disconnect grounding line from battery.
- 2 Drain fuel tank. Carefully pump out fuel so that no residual fuel remains in fuel tank.
- 3 Remove luggage compartment floor and intermediate shelf.
- 4 Pull-off coupling (66) for fuel readout.
- 5 Loosen hose clamp (arrows) on vent lines, pull-off hoses, tightly close lines and hoses.

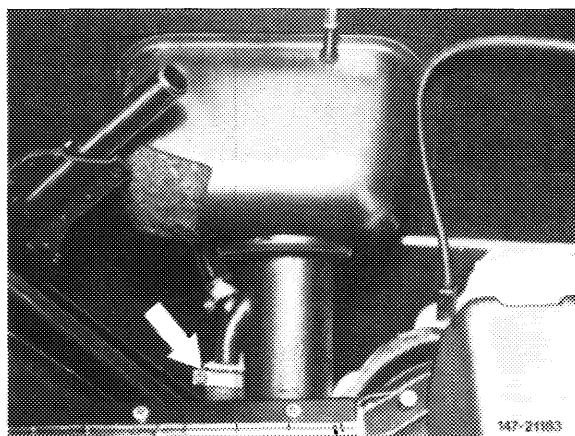


6 Loosen hose clamps on feed line (69) and return line (70), pull off both hoses on fuel tank and catch residual fuel out of hose (69). Tightly close hoses and pipe connections.



7 Loosen hose clamp (arrow) and pull off vent hose. Close hose and pipe connection.

8 Unscrew nuts and remove fuel tank in downward direction.



Installation

9 Install fuel tank in vice-versa sequence. Proceed as follows:

a) Glue foam rubber strips at level of filler neck transverse to driving direction on fuel tank.

Note: Never use felt or similar material, since this may result in corrosion damage.

b) Blow out strainer (b) and check for damage. Renew sealing ring (a). Install fuel strainer (68) and tighten to 35–43 Nm.

c) Install fuel tank with specified reinforcing panels and washers. Tighten self-locking nuts to 26–34 Nm.

d) Install vent hose (arrow) between fuel tank and filler neck without buckling and at a constant slope toward fuel tank.

Slipped-on O-ring serves as a seal at passage to interior.

