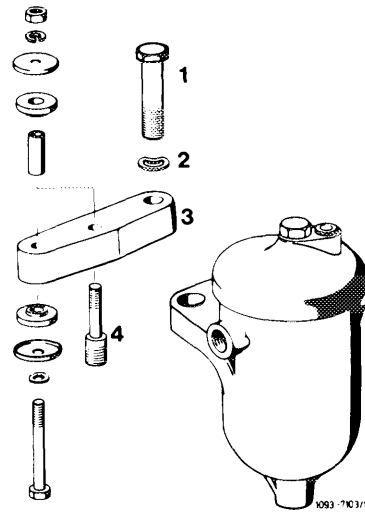


A. Model 115.1

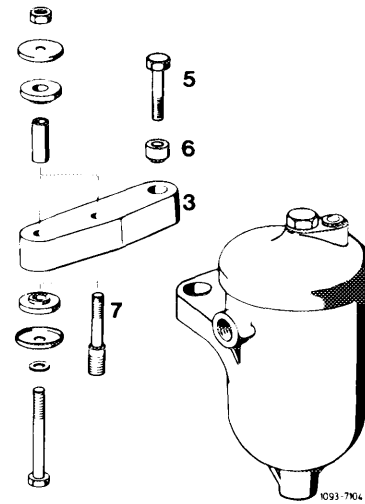
Note

Vent injection system following assembly of fuel filter (07.1—140).

- 1st version
 1 Screw M 12 x 35
 2 Washer
 3 Holder
 4 Stud M 12



- 2nd version
 3 Holder
 5 Screw M 8 x 45
 6 Washer
 7 Stud M 8



Start of production for 2nd version

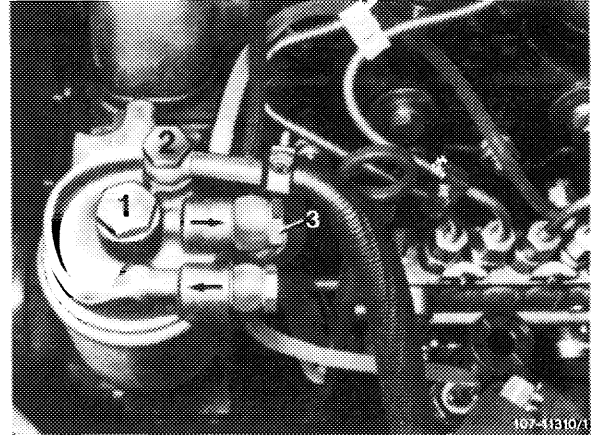
Model	Starting chassis end no.
115.110	463094
115.114	044385
115.115	334350
115.117	117734

B. Model 123.1

Removal

1 Loosen fastening screw (1) and remove housing with filter element in downward direction.

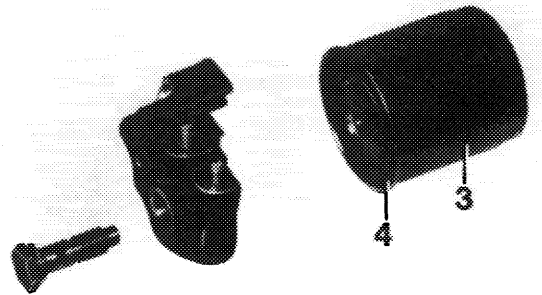
- 1 Fastening screw
- 2 Hollow screw



Installation

2 Mount new filter element with housing (3) and gasket (4).

- 3 Filter element with housing
- 4 Gasket



3 Upon assembly of fuel filter, vent injection system (07.1-140).

107-11361