




00-211 Removal and installation of front engine mounts

Tightening torques

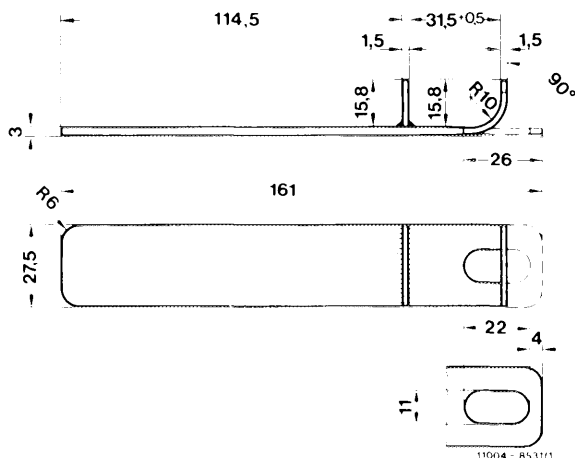
Bolts for engine bearer at engine mounts (type 123.1)	M 12	70	(7)
	M 10	40	(4)
Bolts for engine mounts at front axle beam (type 115.1)		30	(3)

Special tools

Torque wrench handle 20-100 Nm (2-10 kpm)		001 589 35 21 00
Torque wrench handle 50-200 Nm (5-20 kpm)		001 589 44 21 00
Attachable ratchet, 1/2" drive for torque wrench handle		001 589 42 09 00

Shop-made tool

Gauge to adjust front engine stop (type 123.1)



Note

The engine mounts differ in Shore hardness.

They can be distinguished not only by the parts Nos. but also by colored dots.

The engine mounts for type 115.1 cannot be installed in type 123.1, and vice versa.



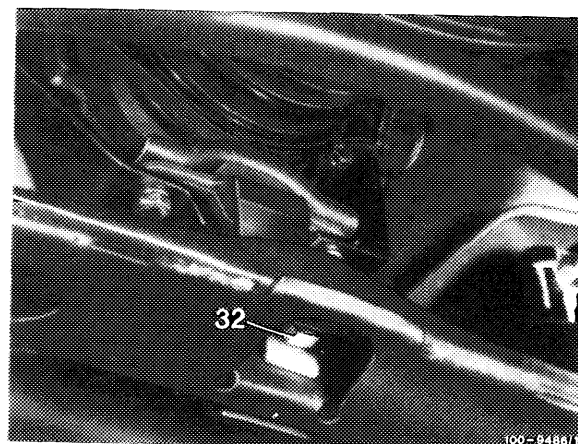
100-13909

Type	Version		Engine mount left Part No.	Engine mount right Part No.
115.110 115.115 115.117	without air- conditioner		615 223 01 12	115 241 07 13 (two yellow dots)
115.114				115 241 08 13 (blue dot)
115.110 115.115 115.117	with air- conditioner		615 223 01 12	107 241 09 13 (yellow dot)
115.110 115.117	only (USA)	1	615 223 01 12	115 241 07 13 (two yellow dots)
		2	615 223 01 12	107 241 09 13 (yellow dot)
123.102 123.103 123.120 123.123 123.125 123.126 123.183				123 241 09 13 (blue dot) replaced by 123 241 17 13 u
123.130 123.132 123.150 123.190				123 241 10 13 (white dot)
123.123	only (USA) (J)			123 241 12 13 (two green dots)
123.130 123.150 123.190	only (USA) (J)			123 241 16 13 (white dot)

A. Type 115.1

Removal

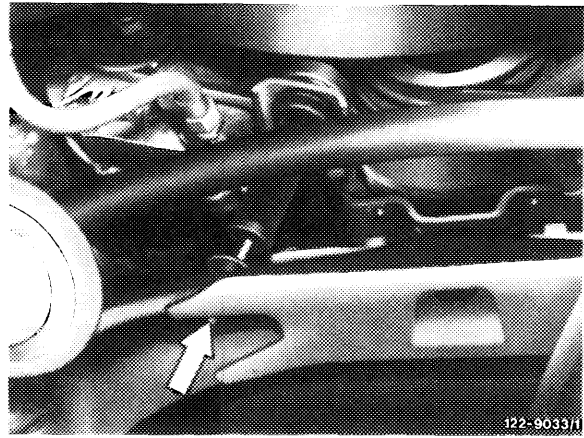
- 1 Unscrew engine bearer bolts (20) at engine mounts, working from above.
- 2 On types 115.110 and 115.115, release engine stop by unscrewing nut (32) and withdrawing bolt.



3 For types 115.114 and 115.117, unscrew nut on engine shock absorber at bottom (arrow). To do so, secure piston rod at place provided for this purpose, using a screwdriver.

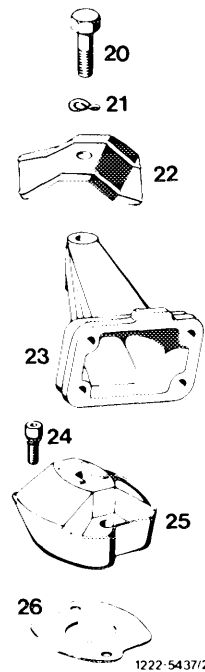
4 Raise engine, applying inspection pit lift to oil pan.

Note: Insert wood support to avoid damage to oil pan.



5 Unscrew bolts (20) and withdraw engine mount with shim (26).

Note: Shim (26) is to be found only on engine mounts as per part Nos. 115 241 07 13, 08 13 and 107 241 09 13.



20 Bolt M 12 x 55
21 Spring washer B 12
22 Shield (right)
23 Engine bearer
24 Screw assembly M 8 x 18
25 Engine mount
26 Shim

Installation

6 Apply and fasten engine mount with shim.

7 Lower engine. For types 115.114 and 115.117, pass engine shock absorbers through crossmember.

8 Bolt engine bearer to engine mount.

9 For types 115.114 and 115.117, fasten engine shock absorber at bottom, securing piston rod at appropriate position (arrow) with a screwdriver.

10 For types 115.110 and 115.115, bolt engine stop in position.

11 Adjust engine stop (00–220).



100-10183/1

B. Type 123.1

Removal

1 Unscrew engine bearer bolts (20) at engine mount, working from below (arrow).

Caution:

There are two bolt versions:

1st version M 12 x 35

2nd version M 10 x 40

The tapped hole in the engine bearer has been modified accordingly.

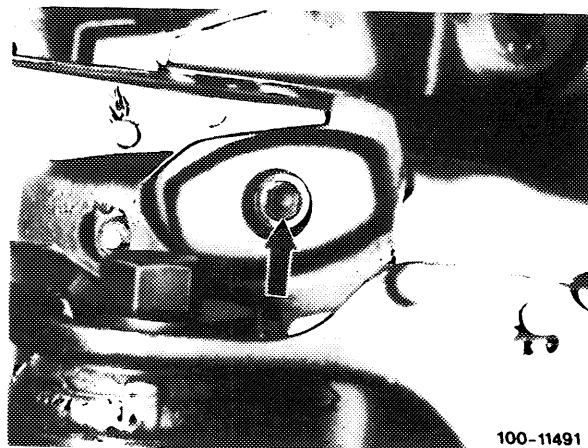
2 Turn steering to full left or right lock.

3 Raise retainer (30) at front engine stop and swing away to one side.

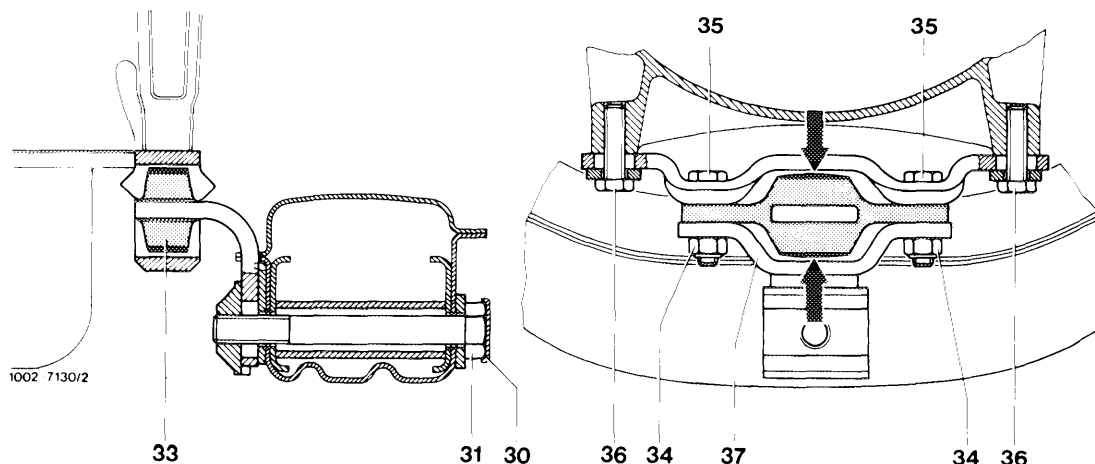
Caution:

Types 123.105/130/132/150/190 with two engine shock absorbers do not have engine stops.

4 Unscrew adjusting screw (31).

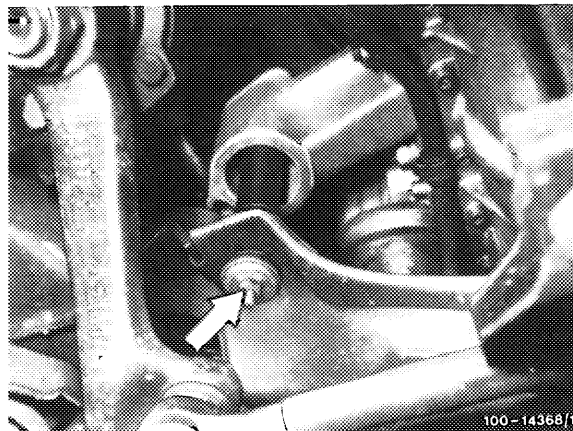


100-11491



5 On models with engine shock absorber, unscrew lower nut (arrow).

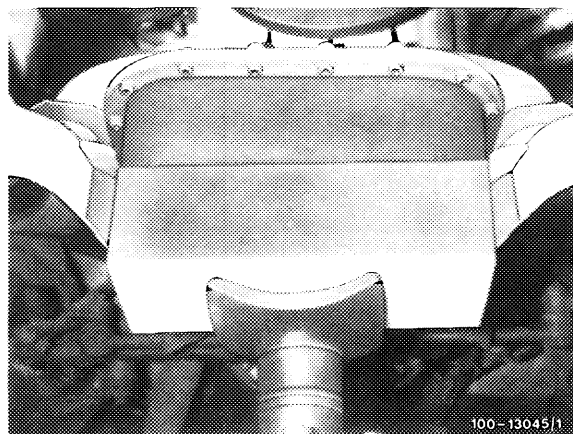
To do so, secure piston rod at place provided for this purpose (illustration, item 13).



6 On models with power steering, connect return hose to power steering system. To do so, draw oil out of power steering pump reservoir.

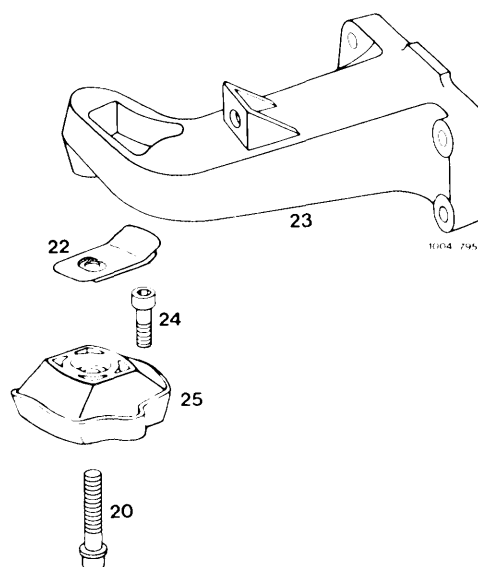
7 Raise engine, applying inspection pit lift to oil pan.

Note: Insert wood support to avoid damage to oil pan.



8 Withdraw shields (22).

9 Remove screws (24) and withdraw engine mount.



- 20 Bolt M 12 x 35 or M 10 x 40
- 22 Shield
- 23 Engine bearer
- 24 Screw assembly M 8 x 18
- 25 Engine mount

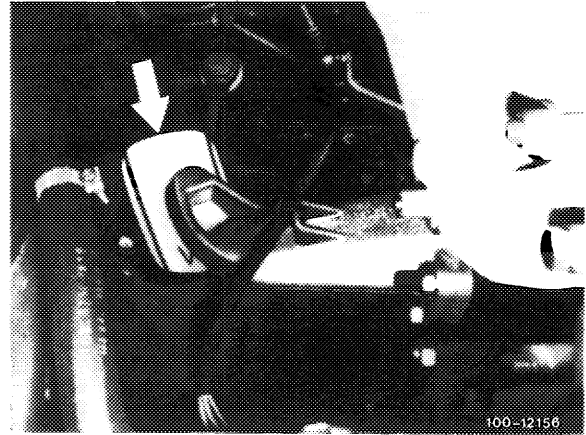
Installation

10 Apply and tighten engine mount.

11 Insert shields.

Note: Note correct mounting location.

12 Lower engine. Make sure to pass engine shock absorber through crossmember.



13 Apply bolts (20) and torque to 70 and 40 Nm, respectively (7 and 4 kpm, respectively).

14 Tighten engine shock absorber at bottom, securing piston rod at place provided for this purpose (arrow).

15 Adjust engine stop (00-220).

16 If new engine mounts have been fitted, remember to re-adjust engine stop after 500-1000 km and 5000 km (00-220).

