

Model 200 D/8, 220 D/8, 200/8, 220/8 and 250 E/8

Since 1971, the above-named models are provided with a cylinder head cover with wider base (3 mm wide) and a pertinently modified cylinder head cover gasket (refer to modified version Fig. 01-13/1).

The new cylinder head cover gasket can also be used with cylinder head covers of the former version, but the former version cannot be used with the new cylinder head cover.

Standard Installation

Model	Chassis Model Designation	Chassis End No.	Engine Type Designation
200 D/8	115. 115	104 305	615. 913
220 D/8	115. 110	211 984	615. 912
200/8	115. 015	100 124	115. 923/926
220/8	115. 010	085 604	115. 920/924
250 E/8	114. 022	015 410	114. 980/981

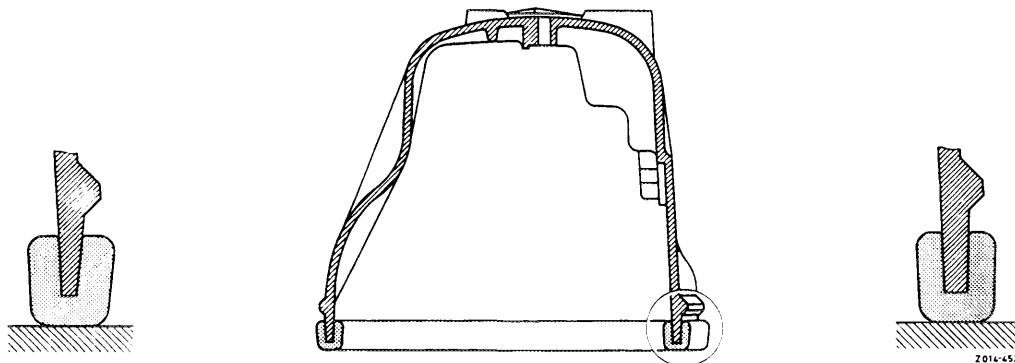


Fig. 01-13/1

Former version

Cylinder head cover

Modified version

When the old stocks are used up, only the new version of cylinder head cover gaskets and covers will be available as spare parts.